

23488T-4 3 Hole Deck Mount Bath Faucet With Handshower

BEFORE YOU BEGIN

All information is based on the latest product information available at the time of publication. Kohler Co. reserves the right to make changes in product characteristics, packaging, or availability at any time without notice. Please leave these instructions for the consumer. They contain important information.

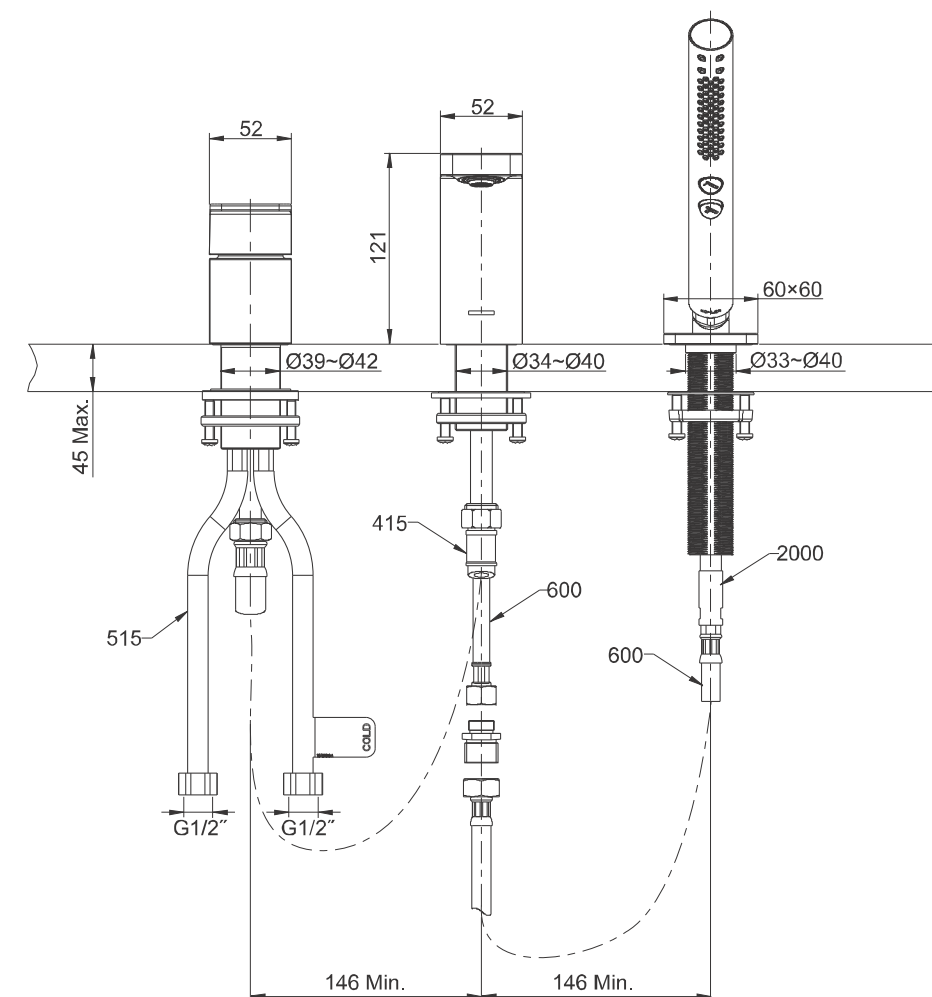
NOTES:

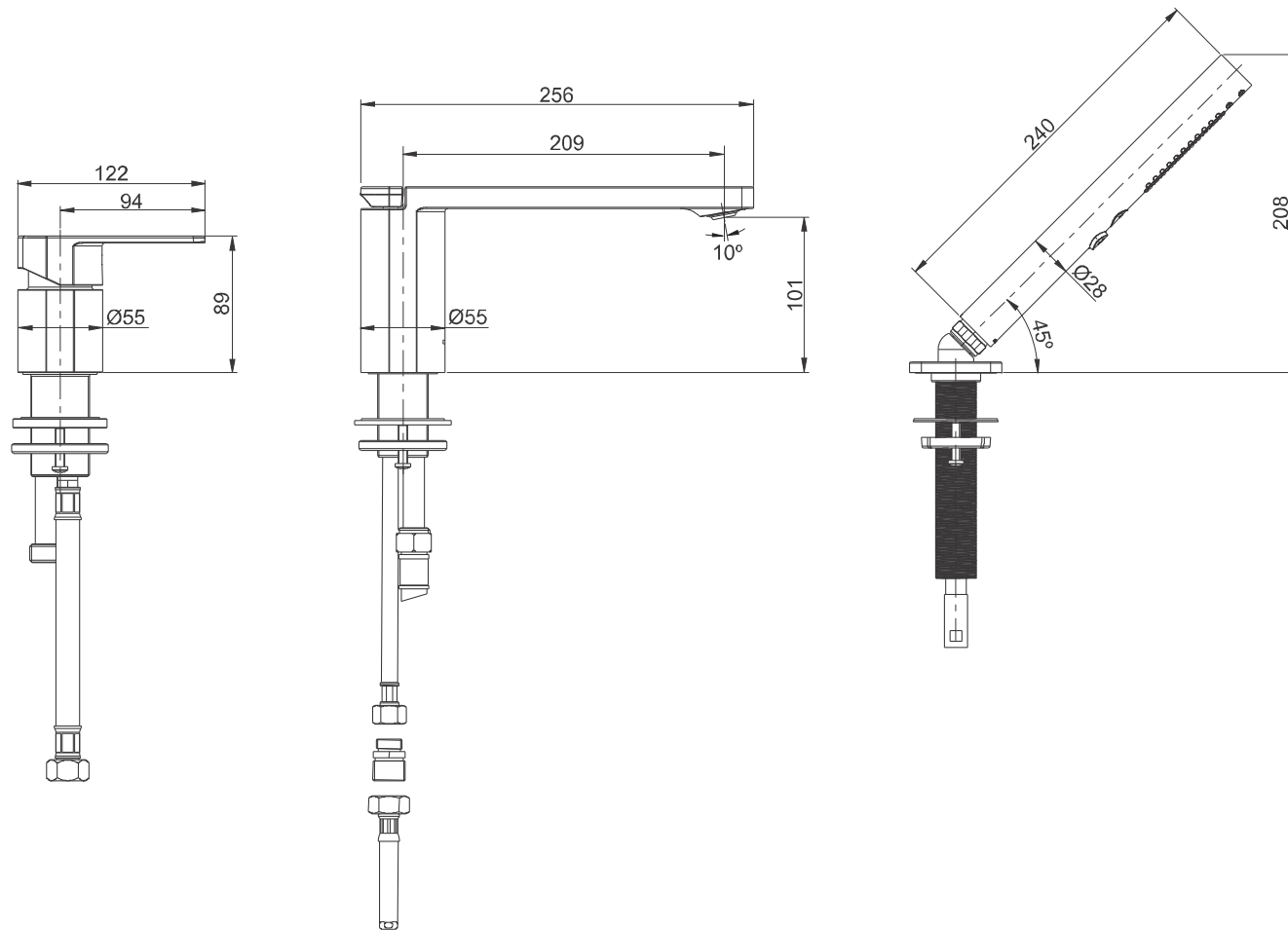
1. Flush the water supply pipes thoroughly to remove debris.
2. Inspect the supply tubing for damage and leakage. Replace and maintain as necessary.
3. Observe local plumbing codes.
4. If possible, install the faucet before installing the tub.
5. The highest working pressure for handshower is 0.5MPa(5bar). If it exceeds 0.5MPa(5bar), a pressure reducer is needed. The highest water and environment temperature is 60°C. Please keep handshower, showerhead and shower arm away from heater, or it may become damaged and cause injury to the user.

STANDARD APPLICABLE

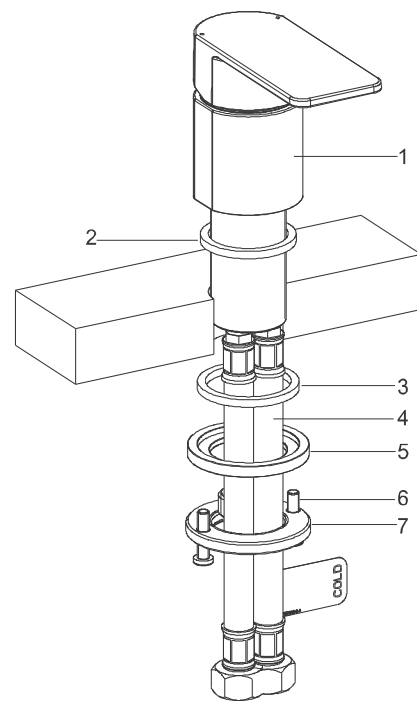
Special model meets or exceeds the following at date of manufacture: TIS

ROUGH-IN DIMENSIONS





INSTALLATION



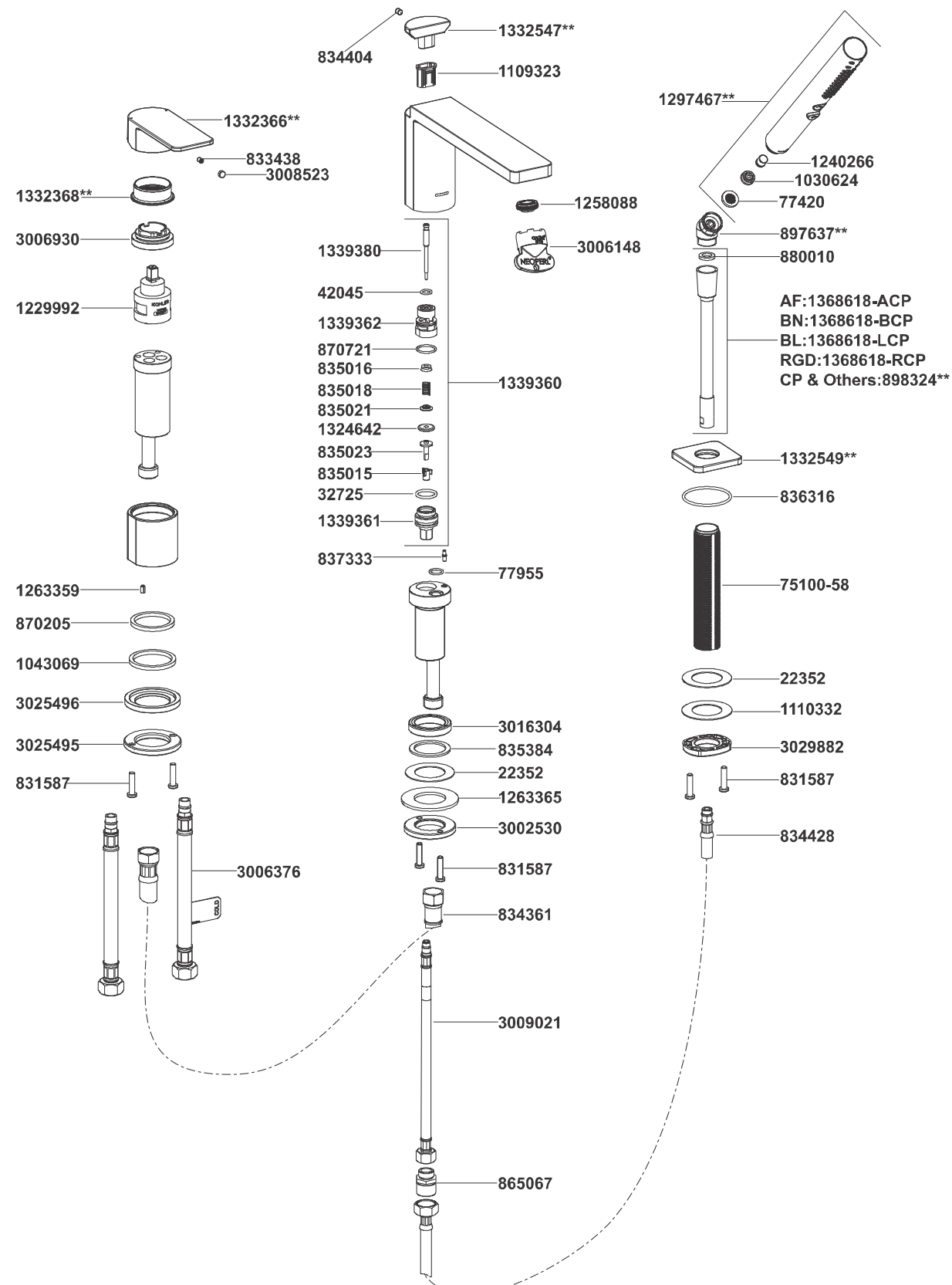
How to Install the Handle Kit

Put the washer(2) into the handle kit(1) bottom. Insert the handle kit with the hoses(4) into the mounting hole from upside of the bathtub.

Pre-install the screws(6) into the screw holes of the threaded ring(7). Put the washer(3) into the washer(5). From underside of the bathtub, install the washers and mounting ring. Position the handle kit and keep it frontwards. Secure the handle kit by tightening the screws(6).

Attach the hoses to the water supplies. The hose with "COLD" mark should be connected to cold water.

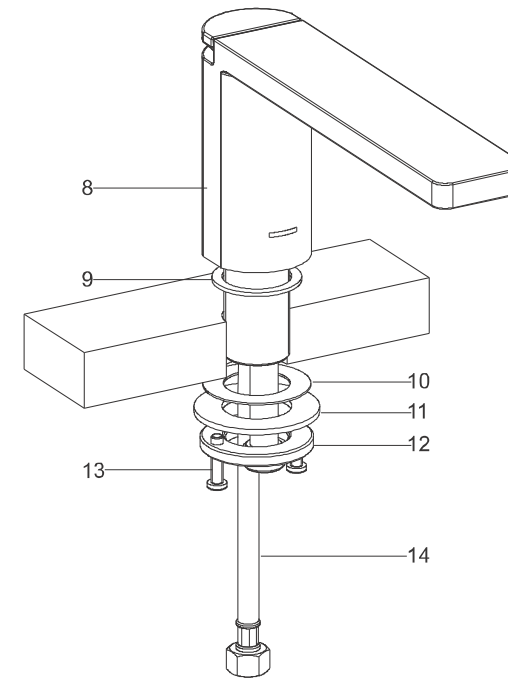
23488T-4 3 Hole Deck Mount Bath Faucet With Handshower



**Color code must be specified when ordering.

NOTE: For all Asia pacific regions (excluding China) add SP (SPxxxxxx**) in front of the part number when ordering.

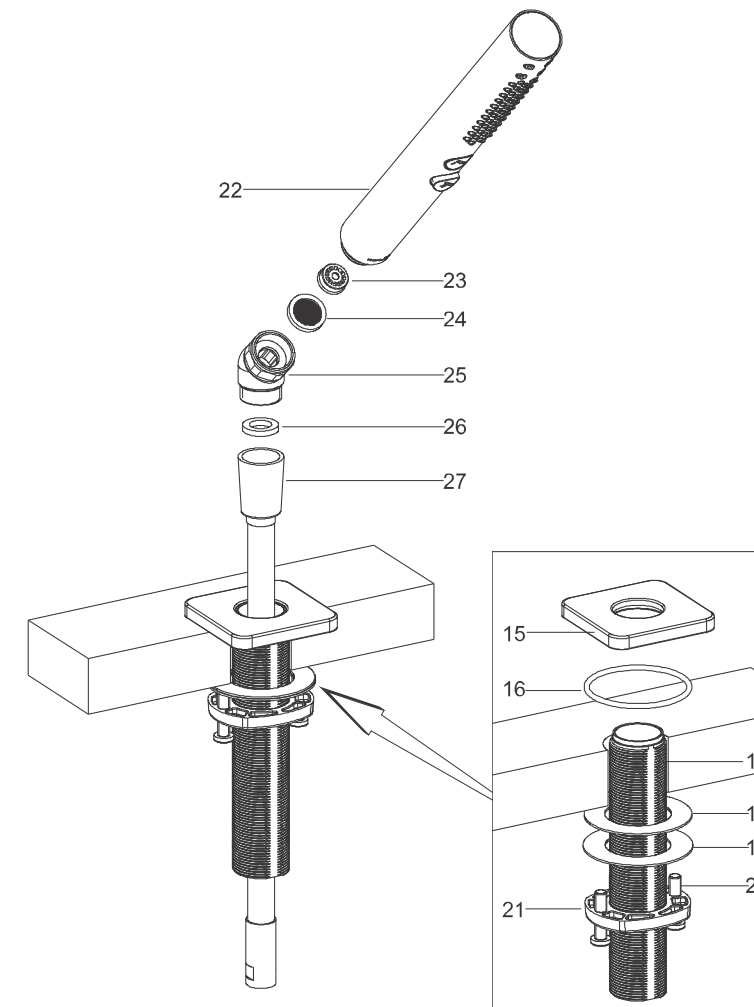
How to Install the Spout



Put the washer(9) into the spout kit(8) bottom. Insert the spout kit with the hose(14) into the mounting hole from upside of the bathtub.

Pre-install the screws(13) into the screw holes of the threaded ring(12). From underside of the bathtub, install the fiber washer(10), steel washer(11) and mounting ring. Position the spout kit and keep it frontwards. Secure the spout kit by tightening the screws(13).

How to Install the Handshower

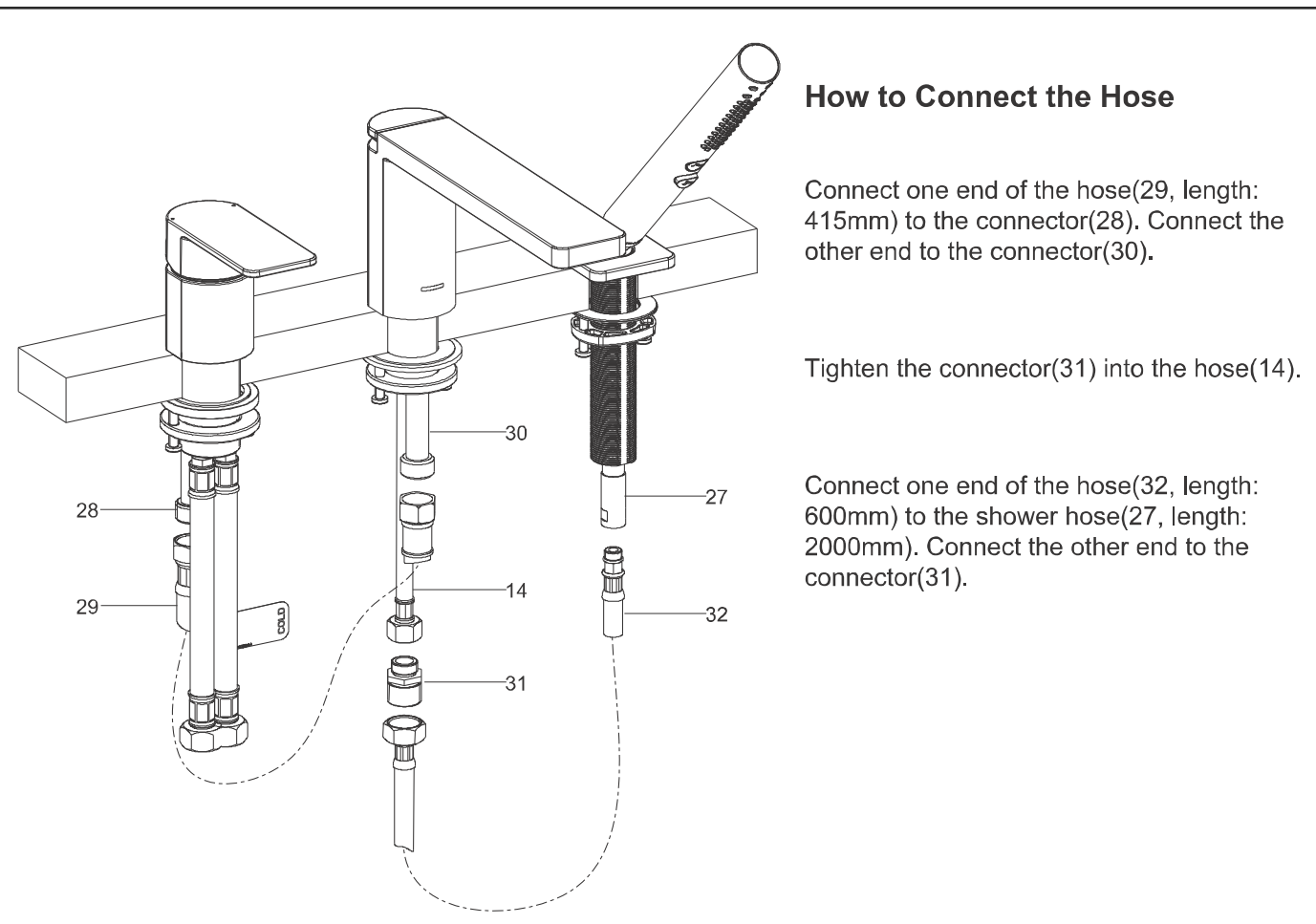


Pre-install the screws(20) into the screw holes of the threaded ring(21). Install the threaded ring, steel washer(19) and fiber washer(18) on the shank(17). From underside of the bathtub, install the shank into the mounting hole as shown.

Put the O-ring(16) into the groove of the escutcheon(15). Tighten the escutcheon with O-ring on the shank. Tighten the screws(20) firmly.

Put the washer(26) into the shower hose (27, length: 2000mm). Connect the shower hose to the elbow assembly(25) firstly. Then slide the shower hose through the escutcheon and shank.

Put the screen washer(24) into the elbow assembly. Put the restrictor(23) into the handshower(22) if needed. Connect the elbow assembly to handshower.



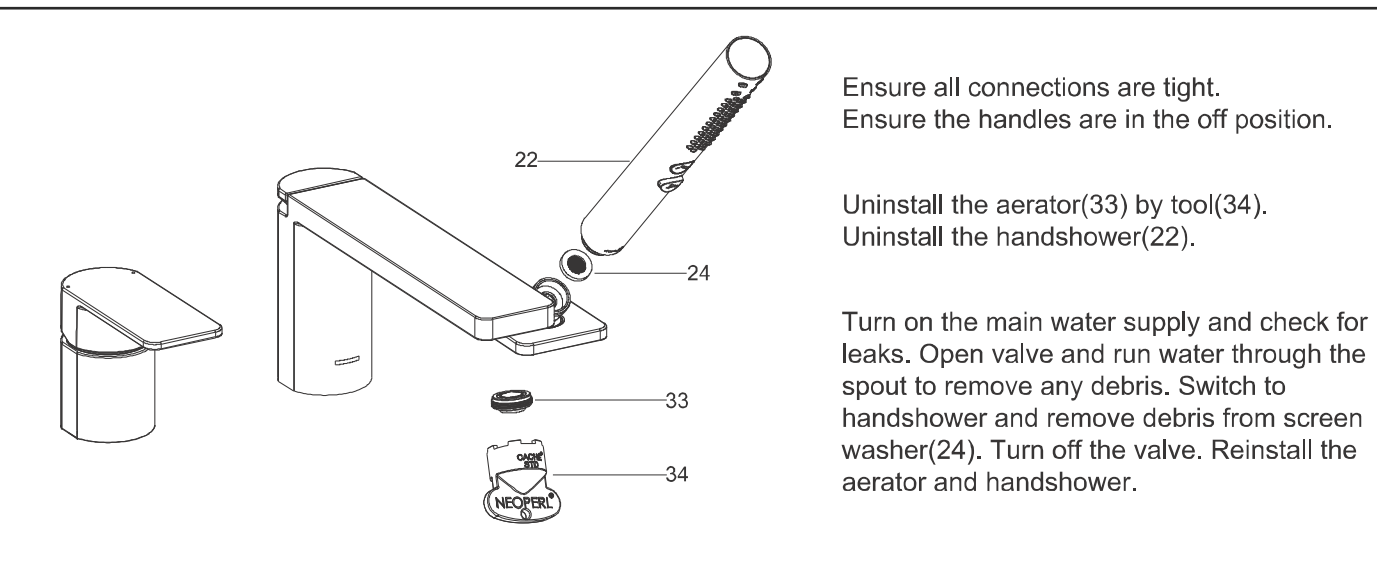
How to Connect the Hose

Connect one end of the hose(29, length: 415mm) to the connector(28). Connect the other end to the connector(30).

Tighten the connector(31) into the hose(14).

Connect one end of the hose(32, length: 600mm) to the shower hose(27, length: 2000mm). Connect the other end to the connector(31).

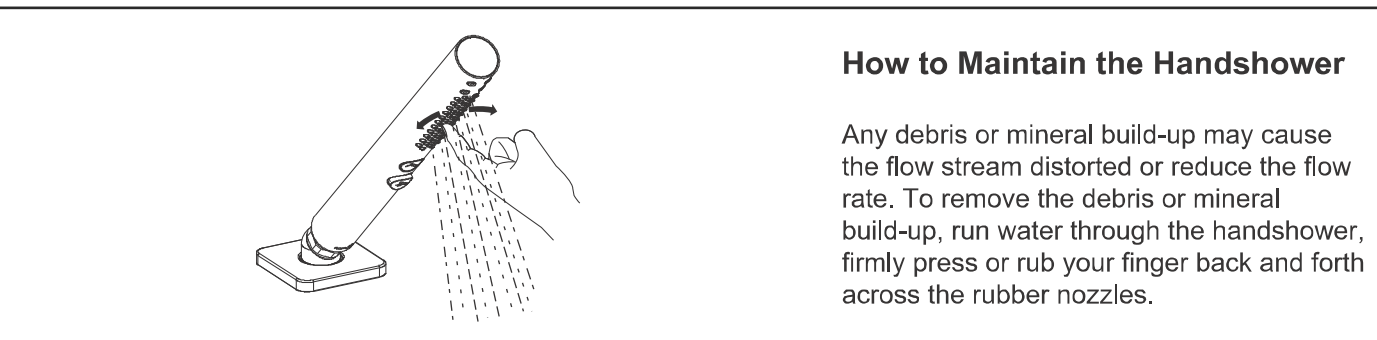
INSTALLATION CHECKOUT



Ensure all connections are tight.
Ensure the handles are in the off position.

Uninstall the aerator(33) by tool(34).
Uninstall the handshower(22).

Turn on the main water supply and check for leaks. Open valve and run water through the spout to remove any debris. Switch to handshower and remove debris from screen washer(24). Turn off the valve. Reinstall the aerator and handshower.



How to Maintain the Handshower

Any debris or mineral build-up may cause the flow stream distorted or reduce the flow rate. To remove the debris or mineral build-up, run water through the handshower, firmly press or rub your finger back and forth across the rubber nozzles.

HANDLE OPERATION

Lift the handle gently. Turn clockwise for hot water, turn counter-clockwise for cold water.

Lift the diverter knob behind the faucet for handshower.

Press the buttons of the handshower to change the water flow.

CLEANING INSTRUCTIONS

All Finishes: Clean the finish with mild soap and warm water. Wipe entire surface completely dry with clean soft cloth. Many cleaners may contain chemicals, such as ammonia, chlorine, toilet cleaner etc, which could adversely affect the finish and are not recommended for cleaning.

Do not use abrasive cleaners or solvents on Kohler faucets and fittings.