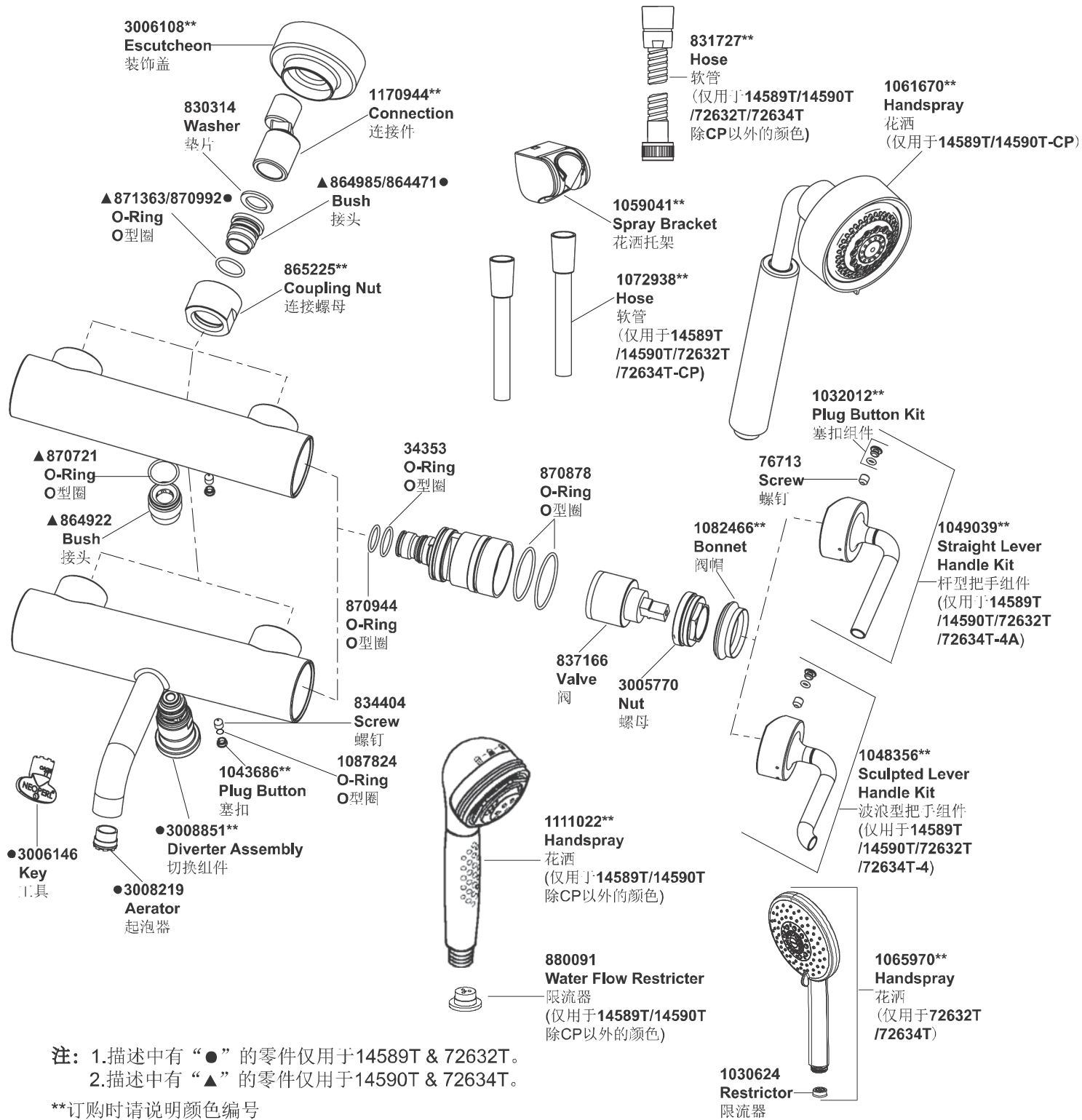


14589T 72632T 挂墙式浴缸花洒龙头
14590T 72634T 挂墙式花洒龙头



注: 1.描述中有“●”的零件仅用于14589T & 72632T。
2.描述中有“▲”的零件仅用于14590T & 72634T。

**订购时请说明颜色编号

**Color code must be specified when ordering

14589T 72632T 挂墙式浴缸花洒龙头
14590T 72634T 挂墙式花洒龙头

安装之前

所有的资料是按最新出版的产品资料编写而成。科勒公司保留任何时候不经通知即可改变产品特性、包装或产品可供类型的权利。

说明书包括重要的安装、保养及清洁方面的内容, 请把这些资料交给用户阅读。

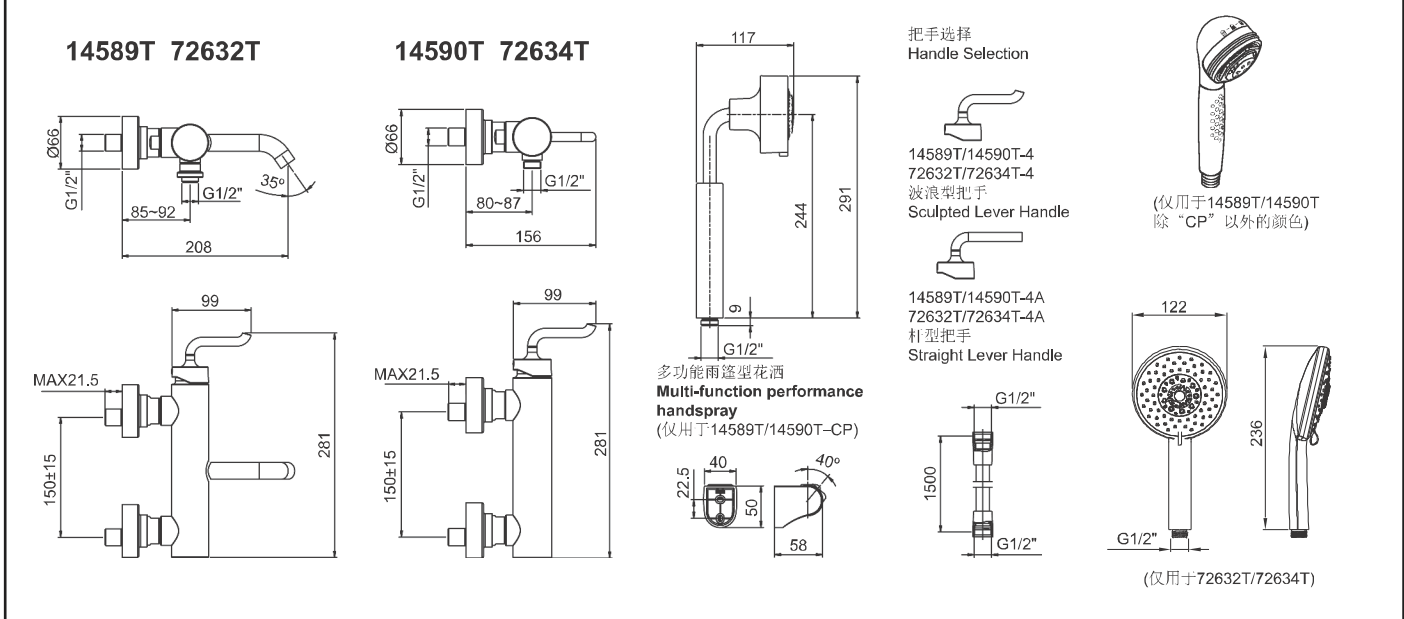
注意事项:

1. 一定要先彻底冲洗供水管以清楚管道中的杂质。
2. 切换器正常工作的最小压力为0.05MPa(0.5bar)。
3. 花洒最高工作压力: 0.5MPa(5bar)。水压超过0.5MPa(5bar)须安装减压阀。花洒最高工作温度及环境温度: 60°C。请特别注意花洒同花洒连接的臂管须远离浴霸, 否则可能损坏花洒及其密封件, 甚至对使用者造成伤害。

使用说明

将手柄轻轻提起, 向上转为热水, 向下转为冷水。

安装尺寸



BEFORE YOU BEGIN

All information is based on the latest product information available at the time of publication. Kohler Co. reserves the right to make changes in product characteristics, packaging, or availability at any time without notice. Please leave these instructions for the consumer. They contain important information.

NOTES:

1. Flush the water supply pipes thoroughly to remove debris.
2. The minimum inlet water pressure for the diverter is 0.05MPa(0.5bar).
3. The highest working pressure for handspray is 0.5MPa(5bar). If it exceeds 0.5MPa(5bar), a pressure reducer is needed. The highest water and environment temperature is 60°C. Please keep handspray, showerhead and the shower arm away from heater, or it may become damaged and cause injury to the user.

HANDLE OPERATION

Lift the handle gently. Turn upwards for hot water, turn downwards for cold water.

ROUGH-IN DIMENSIONS

14589T 72632T

14590T 72634T

把手选择
Handle Selection

14589T/14590T-4
72632T/72634T-4
波浪型把手
Sculpted Lever Handle

14589T/14590T-4A
72632T/72634T-4A
杆型把手
Straight Lever Handle

多功能雨篷型花洒
Multi-function performance
handspray
(仅用于14589T/14590T-CP)

(仅用于14589T/14590T
除“CP”以外的颜色)

(仅用于72632T/72634T)