

Features

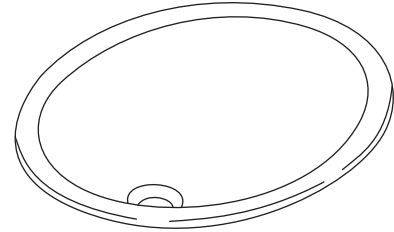
- Vitreous china
- Undercounter
- With overflow
- Includes 52047 clamp assembly
- 489 x 413 x 191 mm [K-2210X]
- 540 x 438 x 191 mm [K-2211X]

Codes/Standards Applicable

Specified model meets or exceeds the following:

- ASME A112.19.2/CSA B45.1
- TIS 791-2544

UNDERCOUNTER LAVATORY K-2210X ALSO K-2211X



Technical Information

Model	Drain hole	Water depth
K-2210X	44 mm	102 mm
K-2211X	44 mm	102 mm
Approximate measurements for comparison only.		

Included Components:	
Basin clamp assembly	52047
Cut-out template, K-2210X	1002975-X7
Cut-out template, K-2211X	1018997-X7

Installation Notes

Install this product according to instruction in the cut-out template.

Supplied basin clamp assemblies require 25 mm minimum countertop thickness. Installer must supply anchors for thinner countertops.

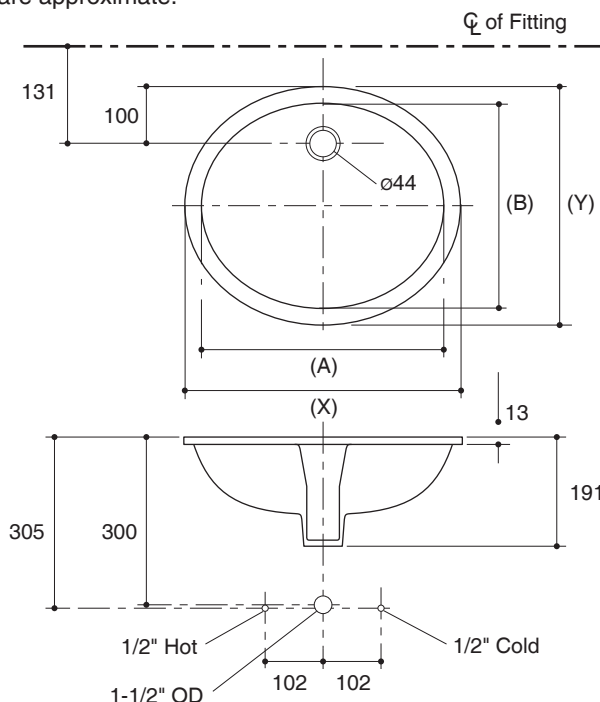
NOTICE: Countertop manufacturer or cutter must use the cut-out template provided with the product, or a current one provided by Kohler Co. (call 0-2204-6222) Kohler Co. is not responsible for cutout errors when the incorrect cut-out template is used.

Specified Model

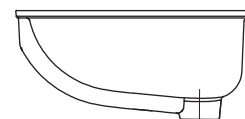
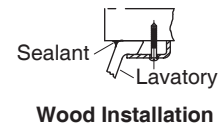
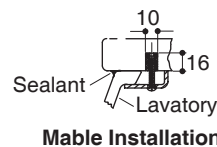
Model	Description	Color/Finished
K-2210X	Caxton 17" undercounter lavatory	0: White
K-2211X	Caxton 19" undercounter lavatory	0: White

Recommended Accessory		
K-8998	P-trap	CP: Polished Chrome

Dimensions are approximate.
Unit: mm



Model \ Dim	A	B	X	Y
K-2210X	436	354	489	413
K-2211X	480	381	540	438



Note: The recommended dimension for installation can be adjusted according to user preferences and layout.

Product Diagram