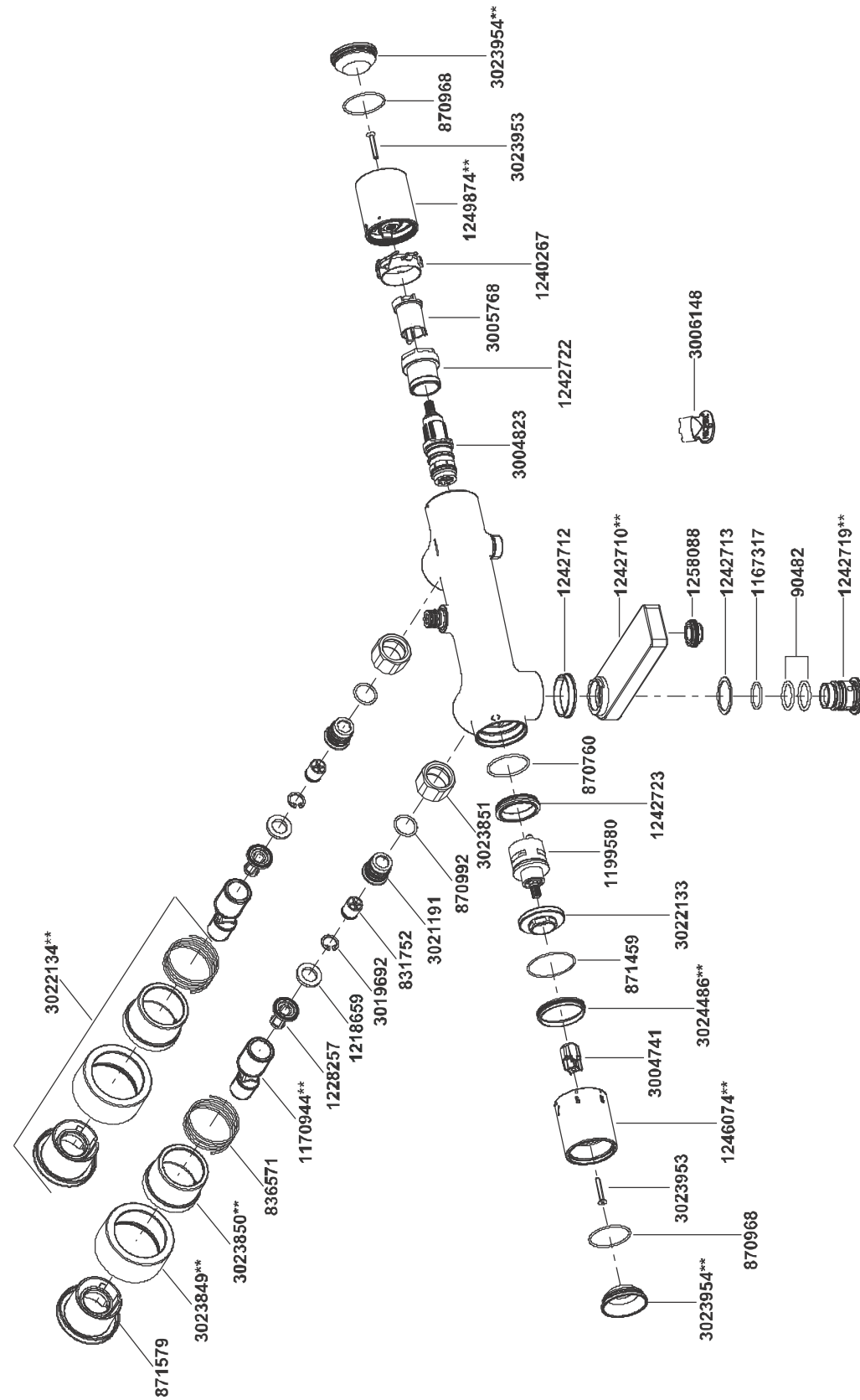


73111T-7 3 Way Thermostatic Shower Column Direct Connection



**Color code must be specified when ordering.

73111T-7 3 Way Thermostatic Shower Column Direct Connection

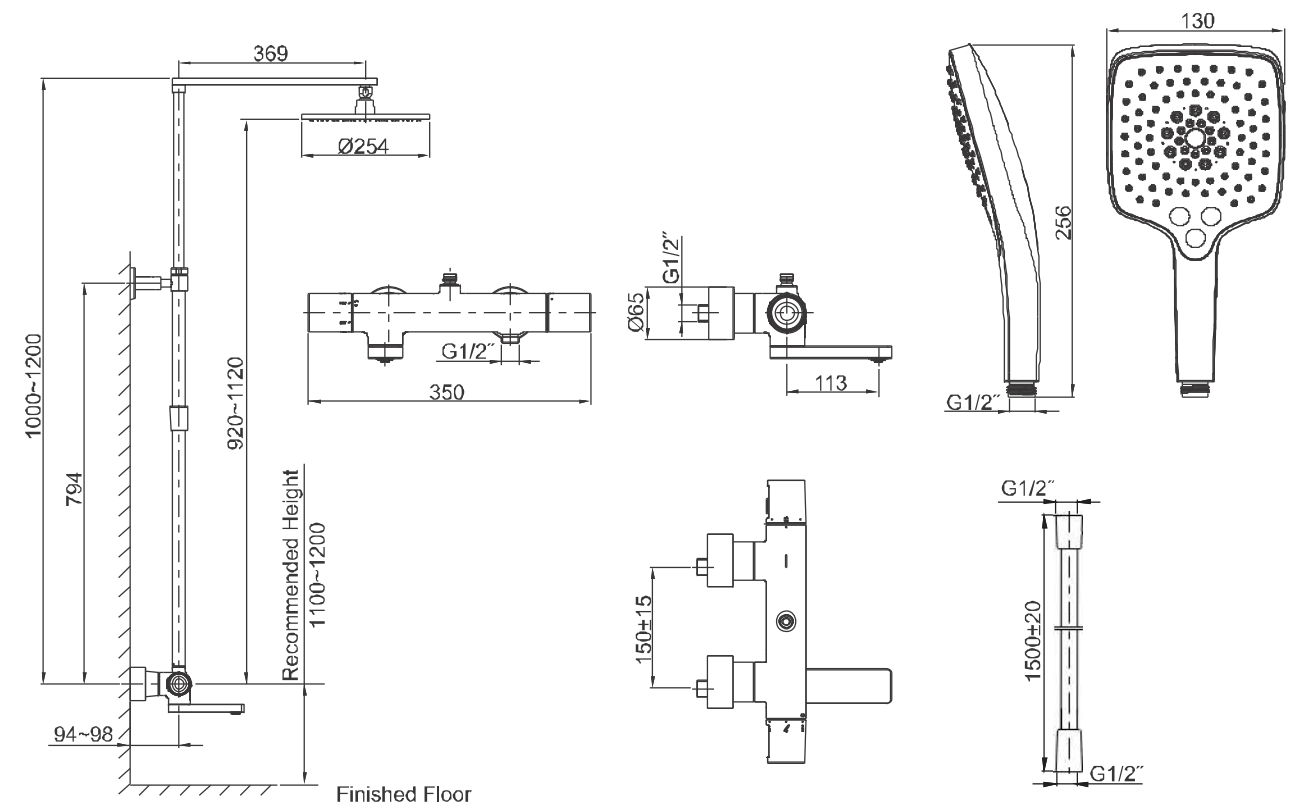
BEFORE YOU BEGIN

All information is based on the latest product information available at the time of publication. Kohler Co. reserves the right to make changes in product characteristics, packaging, or availability at any time without notice. Please leave these instructions for the consumer. They contain important information.

OPERATION CONDITION

1. Minimum supply pressures: 0.05MPa(0.5bar).
2. Recommended supply static pressures: 0.3MPa(3bar) on hot and cold water.
3. Supply pressure greater than 0.5MPa(5bar): install a pressure reducer.
4. Hot water temperatures, minimum: 50°C, maximum:80°C.
5. Recommended hot water temperature: 65°C(energy-saving).
6. Setting range, approximately: 20°C to 49°C.
7. Safety stop at: 38°C.
8. Maximum mixed water temperature: 49°C.
9. The highest environment temperature for handshower & showerhead is 60°C. Please keep handshower, showerhead and shower arm away from heater, or it may become damaged and cause injury to the user.

ROUGH-IN DIMENSIONS



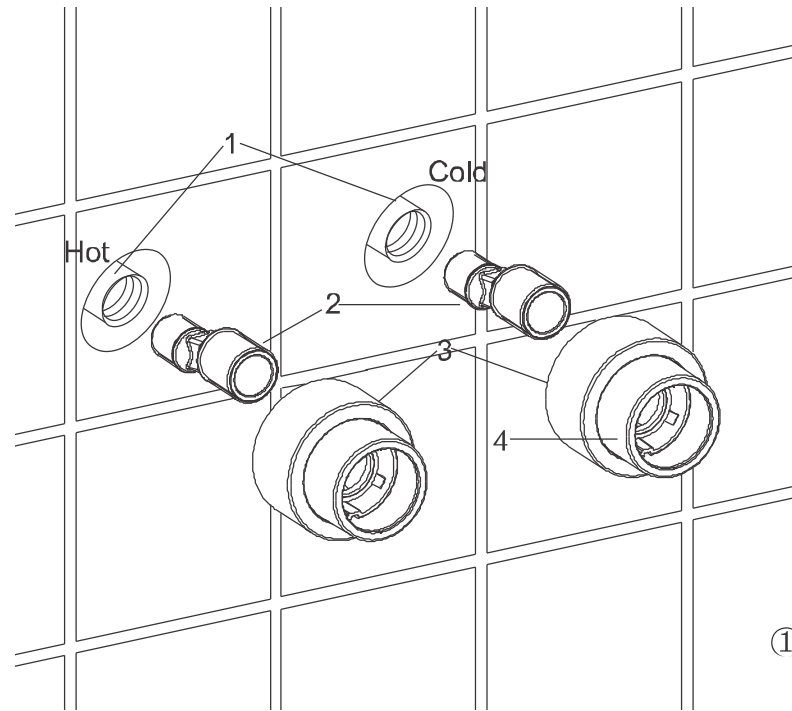
73111T-7

OPERATION INSTRUCTIONS

Water flow is set by turning the left-hand handle. Turn the diverter handle to the handshower logo, water will flow from the handshower; turn it to the showerhead logo, the showerhead will work; turn it to the spout logo, water will flow from the spout.

The temperature is set by slowly turning the temperature selector(right-hand handle). For safety reasons, there is a stop that limits temperature to 38°C. To get a higher temperature, push the button and continue turning the temperature selector.

INSTALLATION



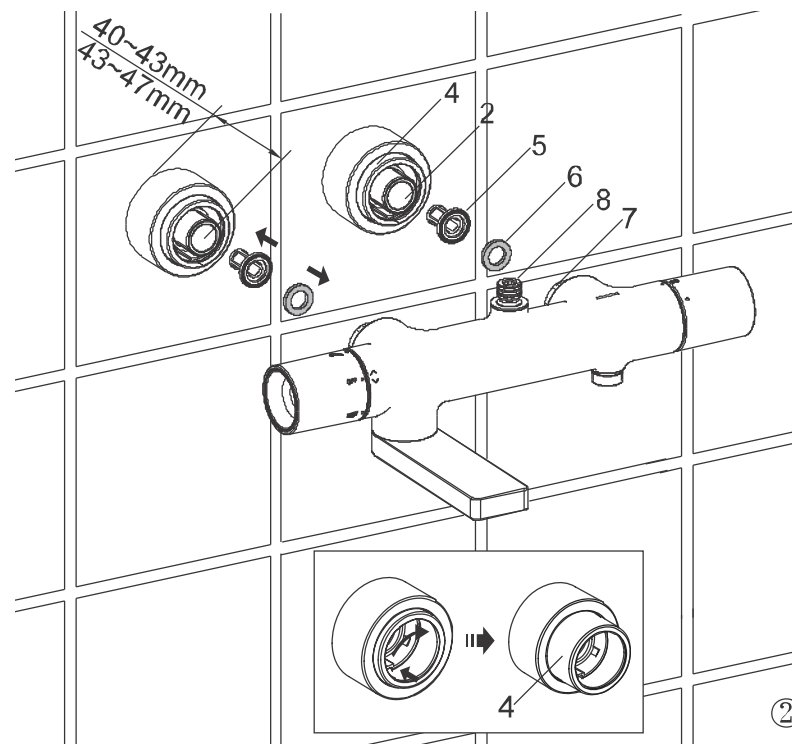
How to Install the Faucet

To perform installation, installer must provide G1/2" female supply fittings(1), spaced 150mm apart, horizontally and vertically to the finished wall. Flush the water supply pipes thoroughly to remove debris.

Apply enough tape or suitable sealant on threads of offset connectors(2). Install the two offset connectors into the hot and cold supply pipes.

Adjust the center-to-center distance between the connectors to 150mm and horizontally. They should extend 40~47mm beyond the finished wall.

① Slide the escutcheon kits(3) onto the offset connectors(2) until they are against the finished wall.



Option 1: When the connectors(2) extend 40~43mm beyond the finished wall. Put the filters(5) into the connectors. Put the washers(6) into the faucet supply nuts(7).

Option 2: When the connectors(2) extend 43~47mm beyond the finished wall. Put the filters(5) into the connectors. Discard the washer(6).

Keep the faucet outlet(8) upwards, thread the faucet supply nuts onto the connectors and tighten by wrench.

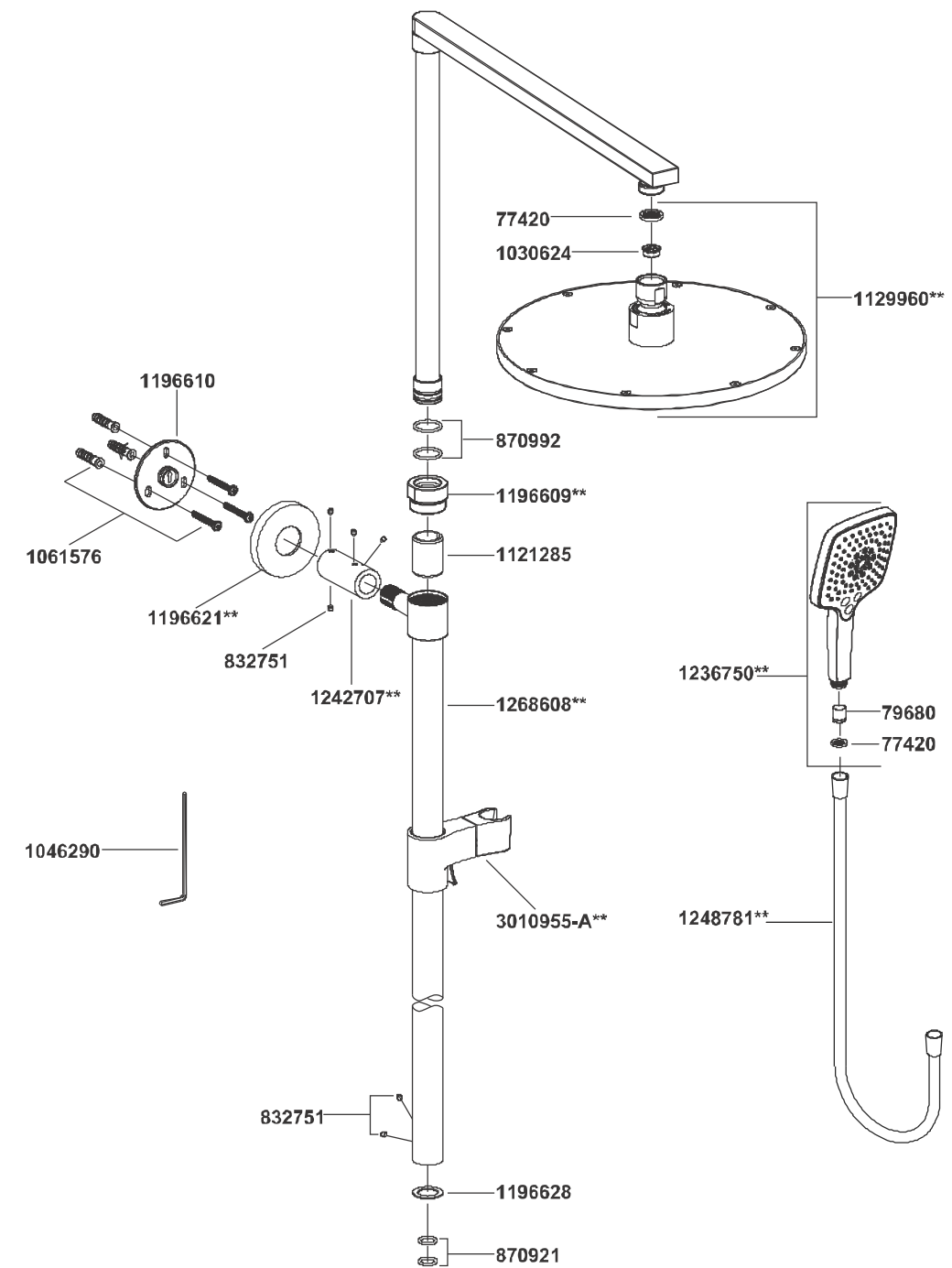
Push and turn right the escutcheons(4), loosen it to cover the supply nut.

KOHLER®

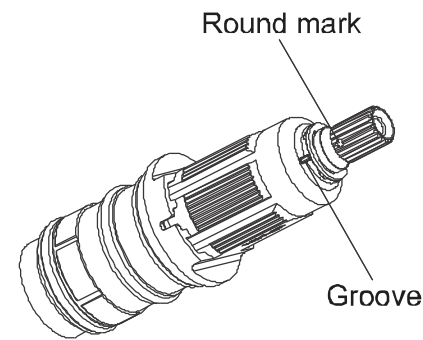
SERVICE PARTS

COMPOSED

73111T-7 Direct Connection Thermostatic Shower Column

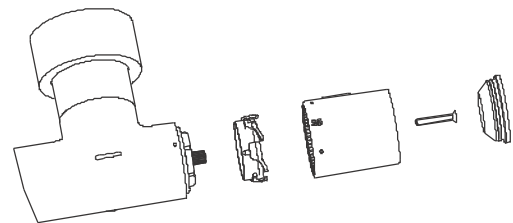


**Color code must be specified when ordering.



NOTE: Do not turn the cartridge when reinstall it. If you turned it without carefully, you should adjust it and be sure that the round mark is correctly in line with the groove, or readjust as per the steps of verification and setting.

Fig.5



Install the bearing and temperature selector(without turning the spindle) lining the number 38 with the reference mark.

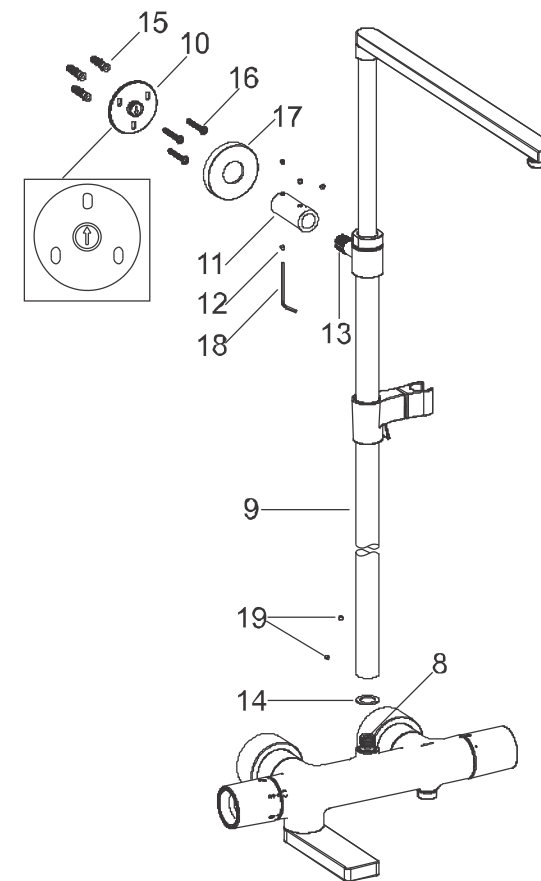
Tighten the handle with the screw. Put on the handle plug.

Fig.6

CLEANING INSTRUCTIONS

All Finishes: Clean the finish with mild soap and warm water. Wipe entire surface completely dry with clean soft cloth. Many cleaners may contain chemicals, such as ammonia, chlorine, toilet cleaner etc. which could adversely affect the finish and are not recommended for cleaning.

Do not use abrasive cleaners or solvents on Kohler faucets and fittings.



How to Install the Shower Column

Rehearse the shower column kit(9) installation for the base(10) mounting location determination. Connect the tube joint(11) and the base(**NOTE:** The arrow in the base is up), tighten them with screw(12). Set the other end of the tube joint on the supporter(13) of shower column.

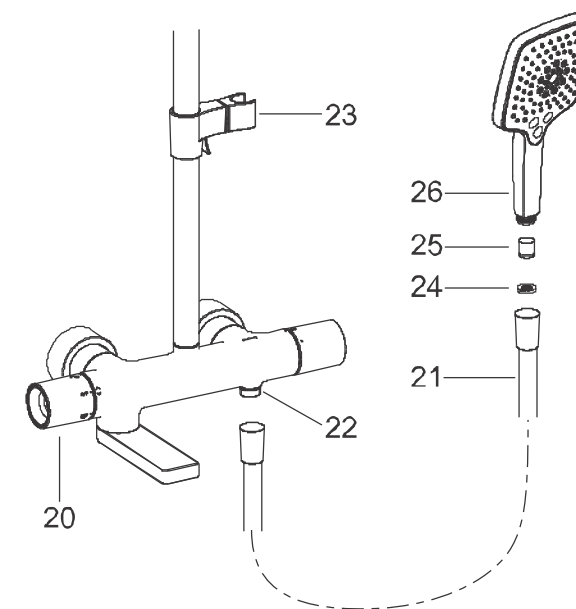
Put the washer(14) onto faucet outlet(8). Connect the faucet outlet and shower column. Place the column kit upright and parallel to the finished wall. Mark the hole of base with a pencil. Uninstall the shower column kit and tube joint.(**NOTE:** Don't lose the screws.)

Drill hole in the finished wall according to the diameter of the anchor(15) and the position of mounting base. Insert the anchor into the hole. Secure the mounting base by self-tapping screw(16). (**NOTE:** The arrow in the base is upward).

Ensure the washer(14) is on the faucet outlet. Install the tube joint and escutcheon(17) onto the supporter of shower column. Connect the shower column kit and faucet. Slide the tube joint onto the base, tighten with screw by hex wrench(18). Screw the escutcheon until it against wall. Make sure the outlet of shower column faces the front, and the shower column is parallel to the finished wall. Connect the supporter and tube joint with screw, tighter them by hex wrench.

Tighten the screw(19) with hex wrench.

③



How to Install the Handshower

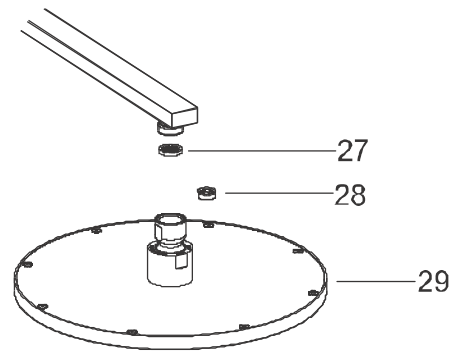
Before installation of handshower(26), ensure that the diverter handle(20) is in the position for handshower. Flush hot and cold water supplies to remove any debris.

Put the screen washer(24) into the shower hose(21) connector. Connect the connector(22) and handshower with hose. Tighten all the connectors. **NOTE:** Don't over tighten.

Install check valve(25) into the handshower inlet if needed.

Hang the handshower on the shower bracket(23).

④



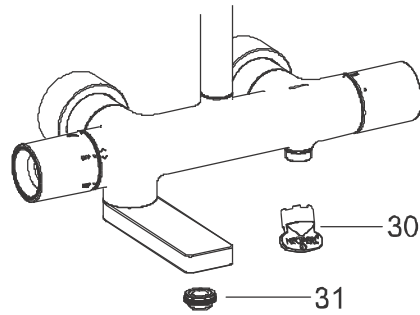
How to Install the Showerhead

Before installation of showerhead(29), turn the diverter handle for showerhead, run hot and cold water for about one minute to remove any debris.

Take out the washer(27). Install the restrictor(28) into the showerhead if needed. Reinstall the washer. Tighten the showerhead onto the tube kit outlet with strap wrench.

⑤

INSTALLATION CHECKOUT



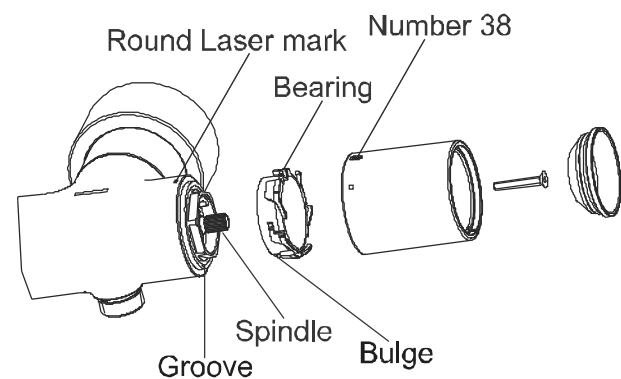
Ensure that all connections are tight. Ensure that the handle is in the off position.

Turn on the drain and main water supply, and check for leaks. Repair as needed.

Remove the aerator(31) by key(30). Run hot and cold water through the faucet for about one minute to remove any debris. Check for leaks.

Shut off the faucet, and reinstall the aerator.

OPERATION INSTRUCTIONS



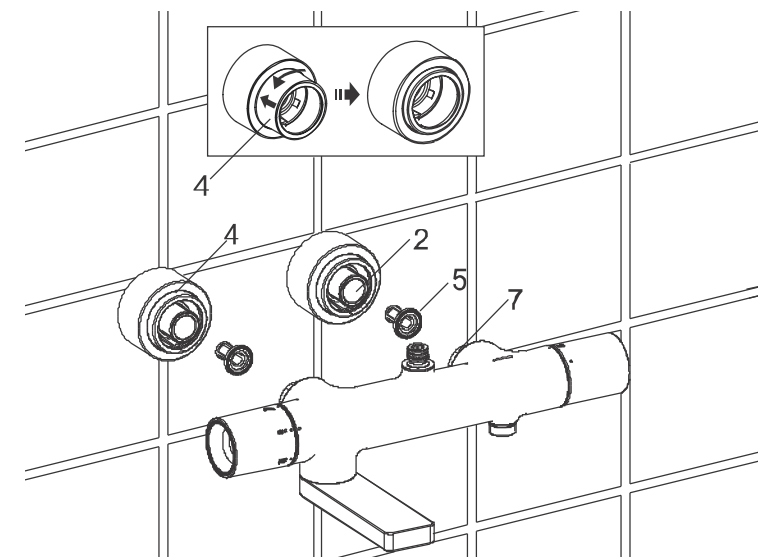
Verification and Setting

Make sure that the water feeds of the faucet have reach their highest temperature by letting the water run sufficiently. With the selector in position 38°C, the temperature of the water coming out of the faucet must be within a range of 36°C and 38°C, as measured by a thermometer. If this is not the case, the installer can adjust the setting. Proceed with the setting as follows:

Remove the handle plug. Uninstall the screw with the screwdriver, remove the handle kit.

With the faucet on "cold" normal water flow, slowly turn the temperature selector(always in the same direction) until water at 38°C is obtained. If the temperature goes over 38°C, go back to the "cold" setting and set again. When the temperature is stabilized, without turning the cartridge spindle. Make sure the bulge of the bearing algin with the groove of the body. Insert the bearing. Make sure the number 38 on the temperature handle aligned with the round laser mark on the faucet body.

Tighten the screw, put on the handle plug as shown.



How to Clear the Filter

The filters(5) protecting the faucet device may get obstructed and reduce water flow.

When this happens, turn off the water supply, push back and rotate the escutcheons(4). Loosen the supply nuts(7) by wrench, take out the filters in the connectors(2) after removing the faucet.

Clean the filters by soaking them in warm vinegar. Reinstall them as the figure.

How to Clear the Thermostaic Cartridge

Very hard water can obstruct the filters on the thermostatic cartridge and reduce the flow of water.

Please clean the cartridge as follows:

Shut off the water supply of the faucet and open the water flow handle, then proceed to remove the cartridge. The cartridge is sense part, please be careful.

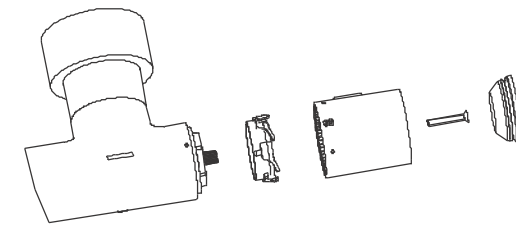


Fig.1

Mark sure the reference mark is aligned with number 38 before your action. Remove the handle kit.

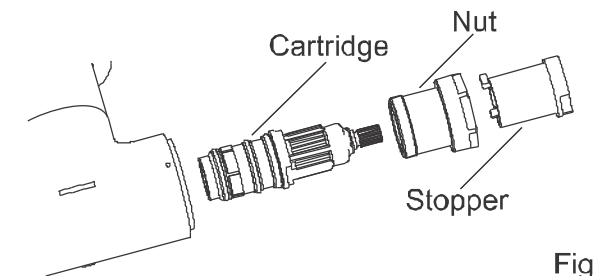


Fig.2

Unscrew the nut and stopper. Removing the cartridge cautiously. Clean the thermostatic cartridge by soaking it in warm vinegar.

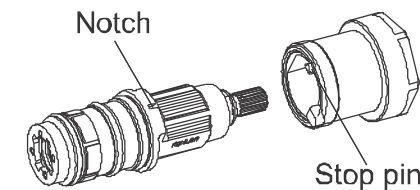


Fig.3

After cleaning, install the "stop assembly" back on the cartridge, adjusting the stop pin into the notch.

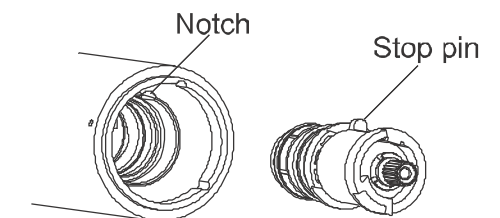


Fig.4

Install the assembly cartridge and stop in the body, adjusting the stop pin into the notch.