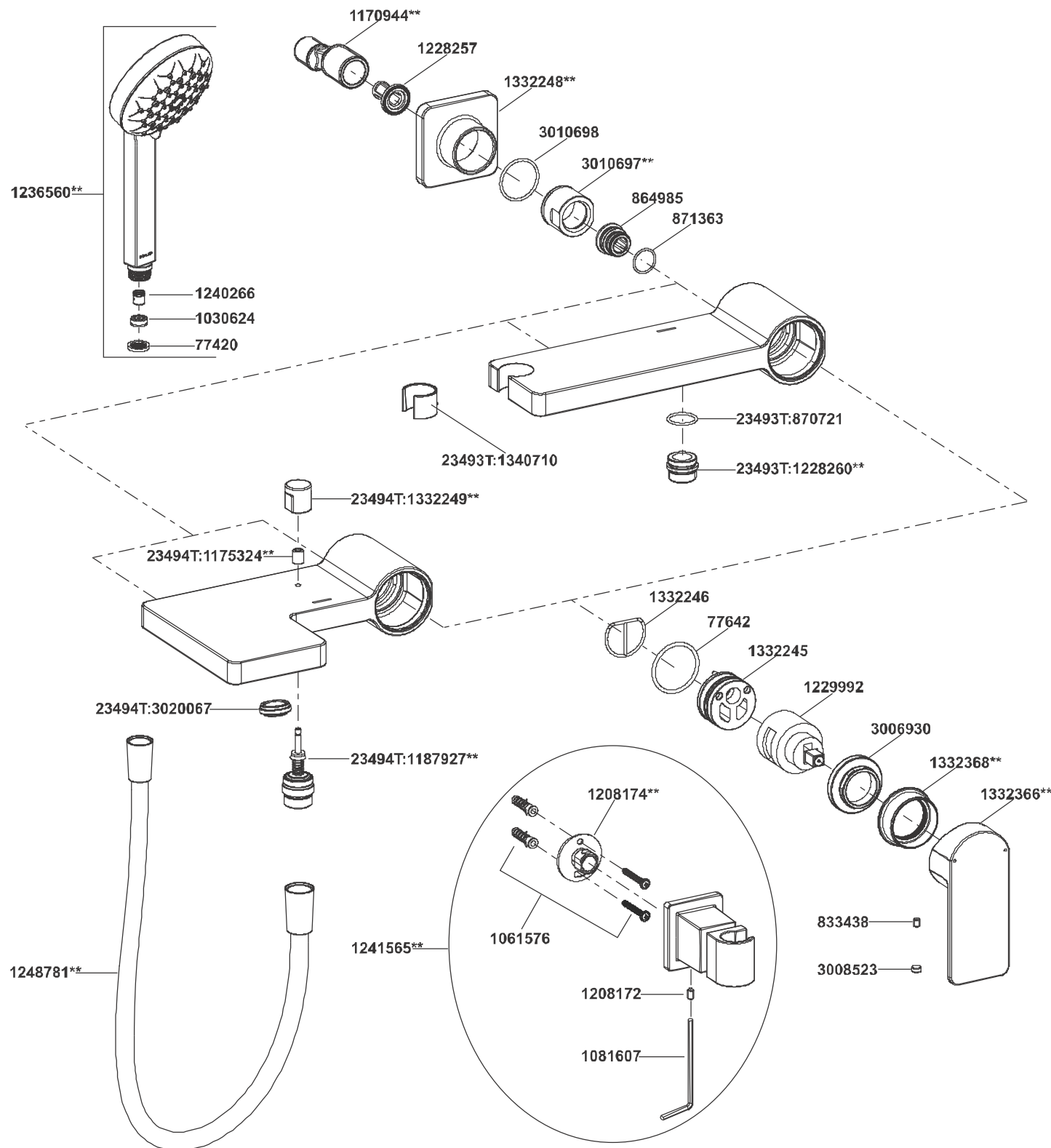


23493T-4 Wall Mount Shower Only Faucet
 23494T-4 Wall Mount Bath Shower Faucet



**Color code must be specified when ordering.

NOTE: For all Asia pacific regions (excluding China) add SP (SPxxxxxx**) in front of the part number when ordering.

23493T-4 Wall Mount Shower Only Faucet
 23494T-4 Wall Mount Bath Shower Faucet

BEFORE YOU BEGIN

All information is based on the latest product information available at the time of publication. Kohler Co. reserves the right to make changes in product characteristics, packaging, or availability at any time without notice.

Please leave these instructions for the consumer. They contain important information.

NOTES:

1. Flush the water supply pipes thoroughly to remove debris.
2. Inspect the supply tubing for damage and leakage. Replace and maintain as necessary.
3. Observe local plumbing codes.
4. The minimum inlet water pressure for the diverter is 0.05MPa(0.5bar).
5. The highest working pressure for handshower is 0.5MPa(5bar). If it exceeds 0.5MPa(5bar), a pressure reducer is needed. The highest water and environment temperature is 60°C. Please keep handshower, showerhead and shower arm away from heater, or it may become damaged and cause injury to the user.

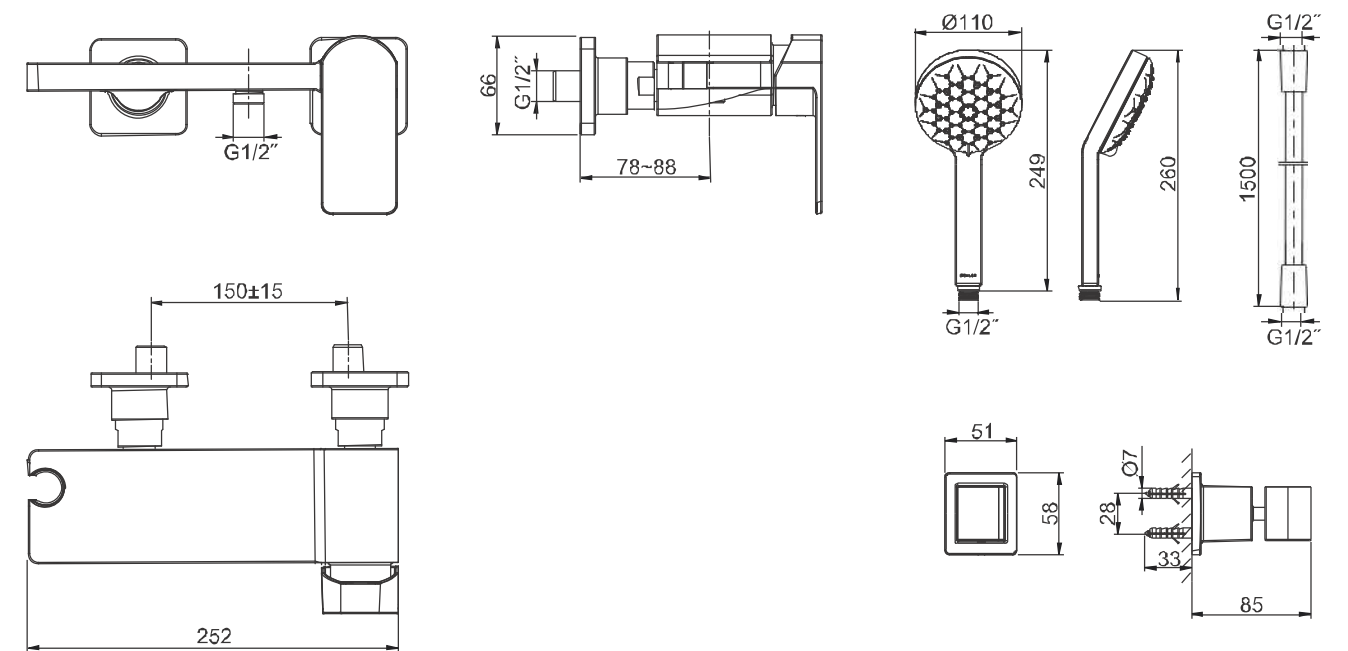
HANDLE OPERATION

Lift the handle gently. Turn clockwise for hot water, turn counter-clockwise for cold water. For 23494T-4, water flows out from spout when faucet diverter is in the normal position. Lift the diverter knob gently, shower works.

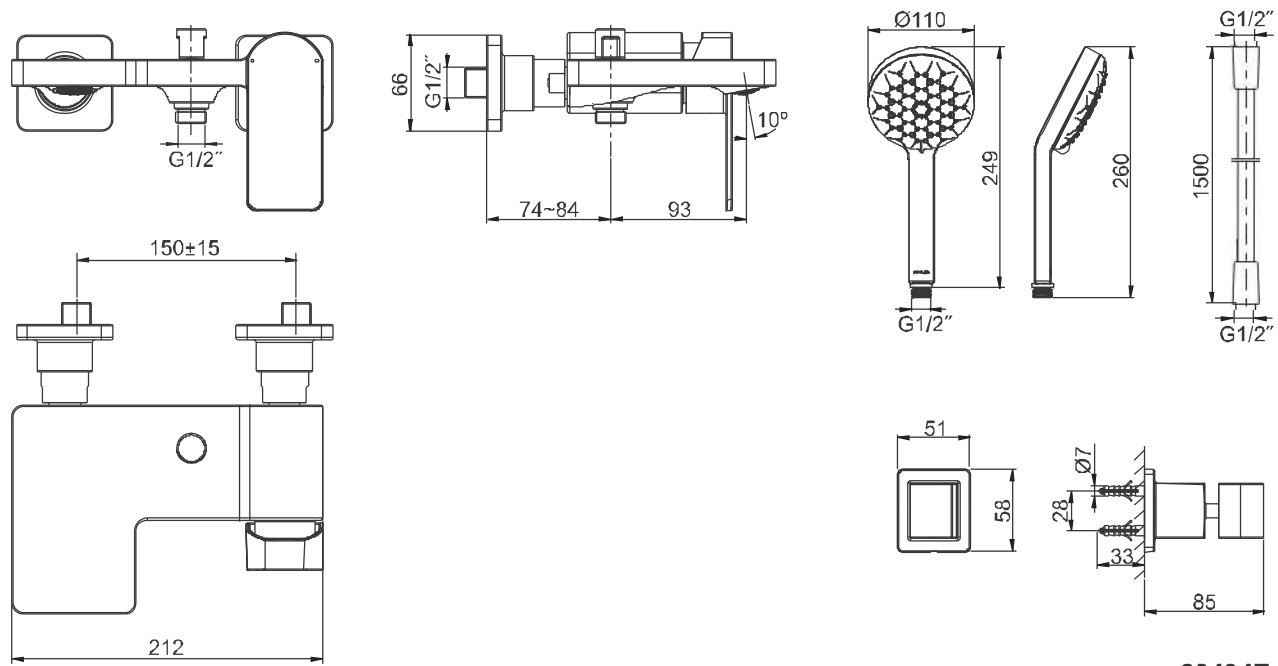
STANDARD APPLICABLE

Special model meets or exceeds the following at date of manufacture: TIS

ROUGH-IN DIMENSIONS



23493T-4



23494T-4

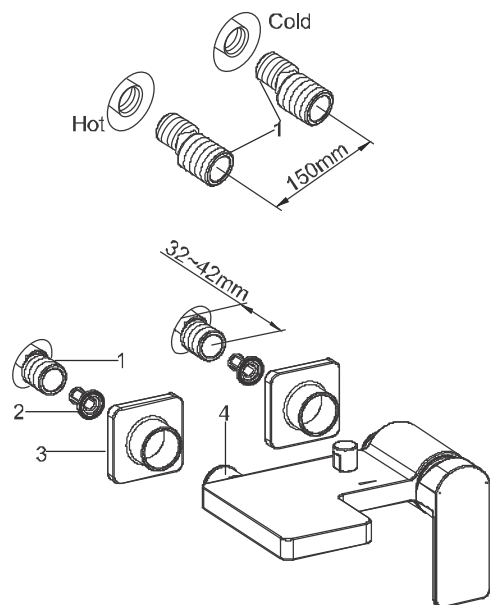
INSTALLATION

How to Install the Faucet

To perform installation, installer must provide G1/2" female supply fittings, spaced 150mm apart and horizontally. The supply fittings should be vertical and not beyond the finished wall. Hot supply pipe must be located on the left. Flush the water supply pipes thoroughly to remove debris.

Use appropriate thread sealants or thread tape on the threads of offset connectors(1). Install two offset connectors into the hot and cold supply pipes. Adjust the center-to-center distance between the connectors to 150mm and horizontally. They should extend 32 to 42mm beyond the finished wall.

Put the filters(2) into the connectors(1). Apply a ring of putty on back of the escutcheons(3). Install the escutcheons onto the supply nuts(4). Thread the supply nuts onto the connectors and tighten by strap wrench. Push the escutcheons until against the finished wall. Remove any excess putty.

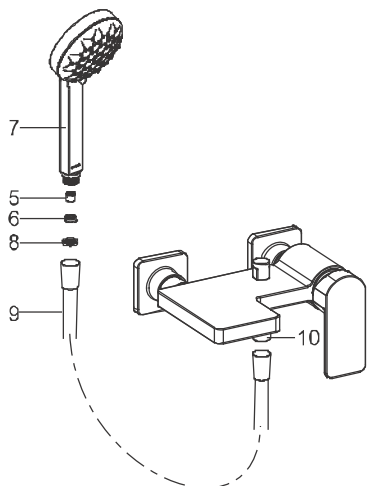


How to Install the Handshower

Remove the guard on the outlet connector firstly.

Put the check valve(5) and restrictor(6) into the handshower(7) if needed.

Put the screen washer(8) into the hose(9) connector. Connect the connector(10) and handshower with hose. Tighten all the connectors.

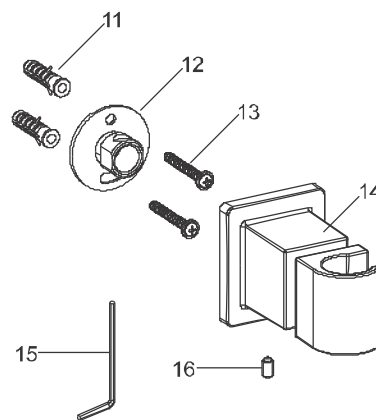


How to Install the Bracket

Determine a suitable location on the finished wall to install the bracket, avoiding buried cables and pipes in the wall.

Mark mounting locations of the bracket base(12) on the wall according to the dimension. Drill two holes vertically in the finished wall according to the anchors(11) diameter. Install the anchors. Tighten screws(13) to fix bracket base on the finished wall. **NOTE:** The direction of the bracket base should be shown in below figure.

Loosen the screw(16) in the bottom of the bracket(14) with the hex wrench(15) so that the bracket can be installed. Apply a ring of plumbers putty or other sealants around the underside of the bracket. Put the bracket onto the bracket base and lock them by screw and hex wrench. Remove any excess putty.



INSTALLATION CHECKOUT

Ensure all coupling nuts are tight.

Ensure the handles are in the off position.

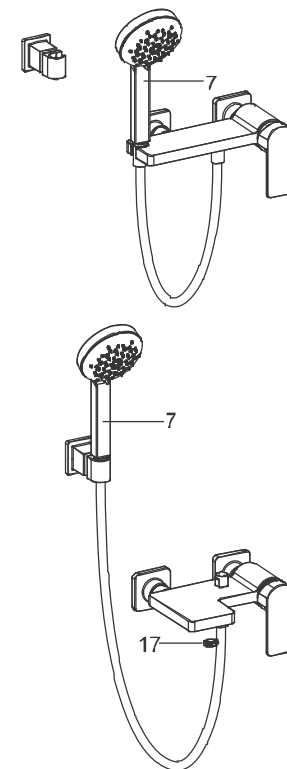
Turn on the main water supply, and check for leaks. Repair as needed.

23493T-4: Shower Only Faucet

Remove the handshower(7). Run hot and cold water through the faucet for about one minute to remove any debris. Check for leaks. Shut off the faucet, reinstall the handshower.

23494T-4: Bath Shower Faucet

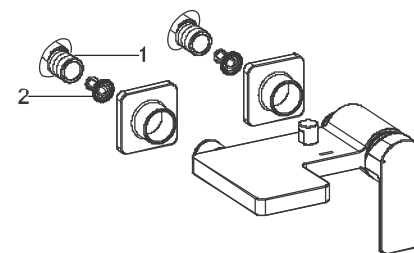
Remove the handshower(7). Remove the aerator(17) by coin. Run hot and cold water through the faucet for about one minute to remove any debris. Check for leaks. Remove any debris from the aerator. Shut off the faucet, reinstall the aerator and handshower.



How to Clear the Thermostatic Cartridge

Very hard water can obstruct filters on the thermostatic cartridge and reduce water flow. Please clean the cartridge as follows:

Shut off the water supply of the faucet and open the water flow handle, then proceed to remove the cartridge. The cartridge is sensitive part, please be careful.



CLEANING INSTRUCTIONS

All Finishes: Clean the finish with mild soap and warm water. Wipe entire surface completely dry with clean soft cloth. Many cleaners may contain chemicals, such as ammonia, chlorine, toilet cleaner etc, which could adversely affect the finish and are not recommended for cleaning.

Do not use abrasive cleaners or solvents on Kohler faucets and fittings.