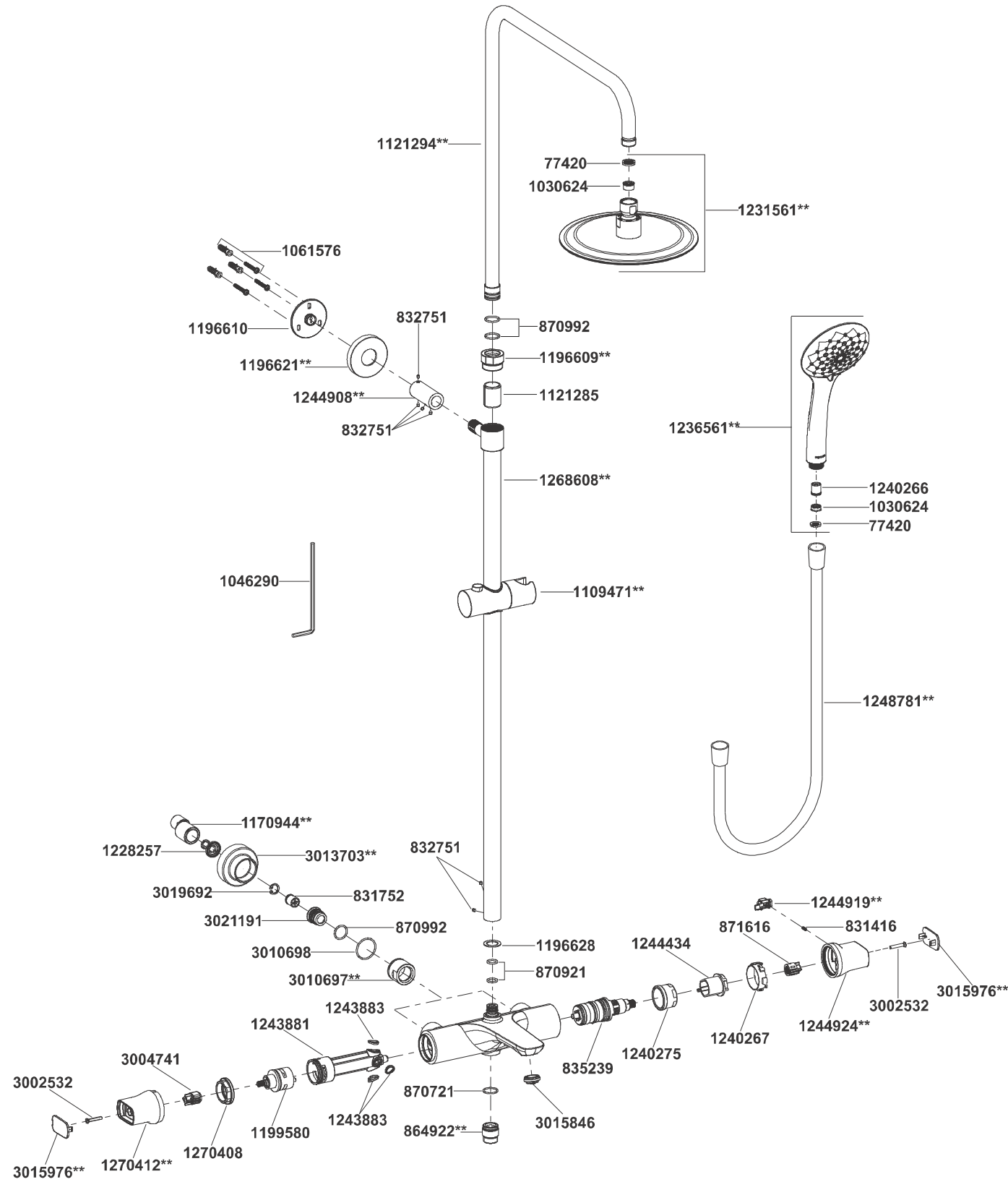


97821T-9 Thermostatic 3-Way Column-Direct Connection



**Color code must be specified when ordering.

97821T-9 Thermostatic 3-Way Column-Direct Connection

BEFORE YOU BEGIN

All information is based on the latest product information available at the time of publication. Kohler Co. reserves the right to make changes in product characteristics, packaging, or availability at any time without notice.

Please leave these instructions for the consumer. They contain important information.

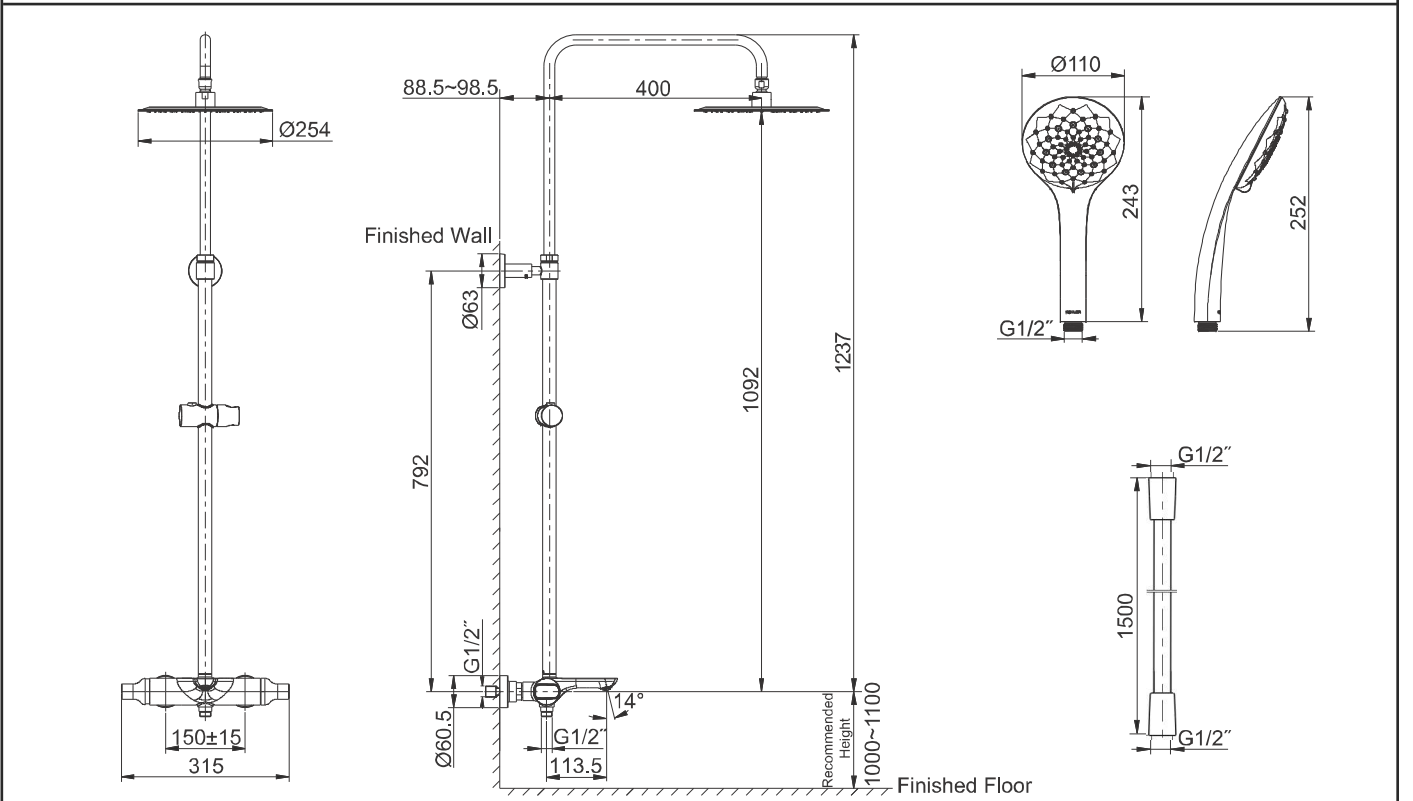
NOTES:

1. Minimum supply pressures: 0.05MPa(0.5bar).
2. Recommended supply static pressures: 0.3MPa(3bar) on hot and cold water.
3. Supply pressure greater than 0.5MPa(5bar): install a pressure reducer.
4. Hot water temperatures, minimum: 50°C, maximum:80°C.
5. Recommended hot water temperature: 65°C(energy-saving).
6. Setting range, approximately: 20°C to 49°C.
7. Safety stop at: 37°C.
8. Maximum mixed water temperature: 49°C.
9. The highest environment temperature for handshower & showerhead is 60°C. Please keep handshower, showerhead and shower arm away from heater, or it may become damaged and cause injury to the user.

HANDLE OPERATION

The temperature is set by slowly turning the temperature selector(right-hand handle). For safety reasons, there is a stop that limits temperature to 37°C. To get a higher temperature, push the button and continue turning the temperature selector counter-clockwise. Water flow is set by turning the left-hand handle. Turn the diverter handle(left-handle) to the handshower logo, handshower will work; turn it to the showerhead logo, showerhead will work; turn it to the bath logo, spout will work.

ROUGH-IN DIMENSIONS



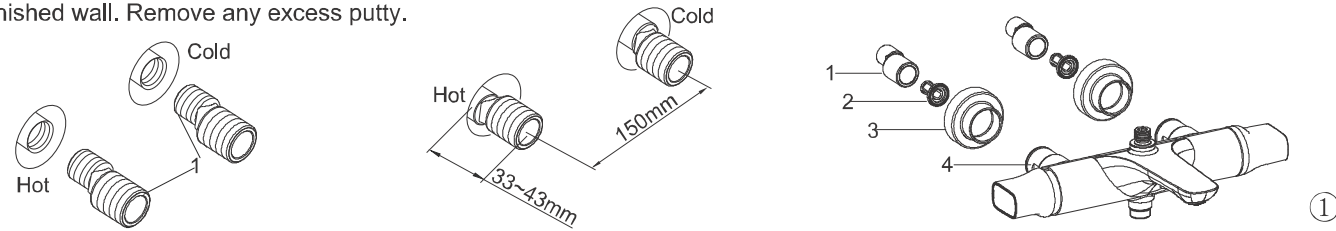
INSTALLATION

How to Install the Faucet

To perform installation, installer must provide G1/2" female supply fittings, spaced 150mm apart and horizontally. The supply fittings should be vertical and not beyond the finished wall. Hot supply pipe must be located on the left. Flush the water supply pipes thoroughly to remove debris.

Use appropriate thread sealants or thread tape on the threads of offset connectors(1). Install two offset connectors into the hot and cold supply pipes. Adjust the center-to-center distance between the connectors to 150mm and horizontally. They should extend 33 to 43mm beyond the finished wall.

Put the filters(2) into the connectors (1). Apply a ring of putty on back of the escutcheons(3). Install the escutcheons onto the supply nuts(4). Thread the supply nuts onto the connectors and tighten by strap wrench. Push the escutcheons until against the finished wall. Remove any excess putty.



How to Install the Shower Column

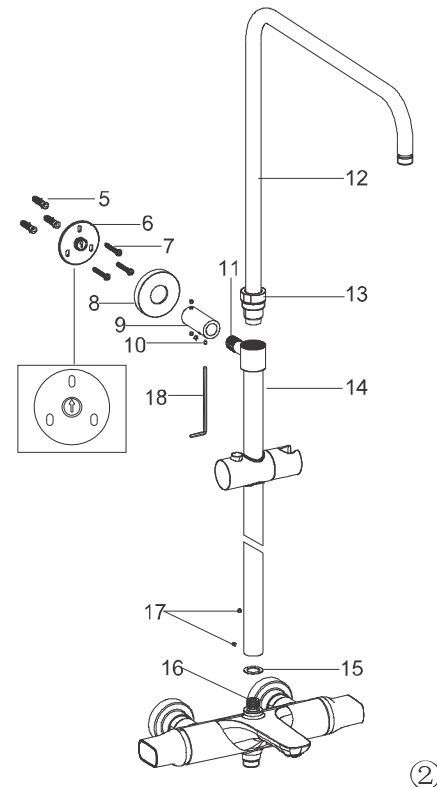
Rehearse slide bar kit(14) installation for the base(6) mounting location determination. Connect the tube joint(9) and the base(6)(**Note:** The arrow in the base is upward), tighten them with screw(10). Set the other end of the tube joint on the supporter(11).

Put the washer(15) onto faucet outlet(16). Connect the faucet outlet(16) and slide bar kit(14). Place the slide bar kit upright and parallel to the finished wall. Mark the holes of base with a pencil on the finished wall. Uninstall the slide bar kit and tube joint.(**Note:** Don't lose the screws.)

Drill holes in the finished wall according to the diameter of the anchors(5) and the position of mounting base. Insert the anchors into the holes. Secure the mounting base by self-tapping screws(7). (**Note:** The arrow in the base is upward).

Ensure the washer(15) on the faucet outlet. Install the tube joint(9) and escutcheon (8) onto the supporter. Connect the slide bar kit and faucet outlet. Slide the tube joint onto the base. Make sure the slide bar kit is parallel to the finished wall. Tighten the screw(10) with hex wrench(18). Screw the escutcheon until it against wall. Tighten the screws(17) with hex wrench.

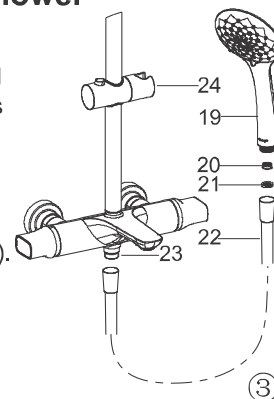
Remove and discard the guard from the tube kit(12). Install the tube kit into the slide bar kit. Then screw the nut(13) onto the slide bar kit with strap wrench or soft cloth between the nut and regular wrench. Make sure the outlet of the tube kit faces front.



How to Install the Handshower

Ensure that it is in the position for handshower(19). Flush hot and cold water supplies to remove any debris before the handshower is installed.

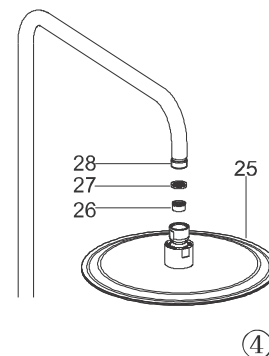
Put the restrictor(20) into the handshower inlet if needed. Put the screen washer(21) into the hose(22). Connect the connector(23) and handshower with hose. Tighten all the connectors. Hang the handshower on the bracket(24).



How to Install the Showerhead

Ensure that it is in the position for showerhead(25). Flush hot and cold water supplies to remove any debris before the showerhead is installed.

Before installation, put the restrictor(26) into the showerhead inlet if needed. Take out the restrictor as shown, reinstall the washer. Tighten the showerhead onto the tube kit outlet(28) with strap wrench.



CHECKOUT

Ensure that all coupling nuts are tight. Close the valves. Turn on the main water supply, and check for leaks. Repair as needed.

CLEANING INSTRUCTIONS

All Finishes: Clean the finish with mild soap and warm water. Wipe entire surface completely dry with clean soft cloth. Many cleaners may contain chemicals, such as ammonia, chlorine, toilet cleaner etc, which could adversely affect the finish and are not recommended for cleaning. Do not use abrasive cleaners or solvents on Kohler faucets and fittings.

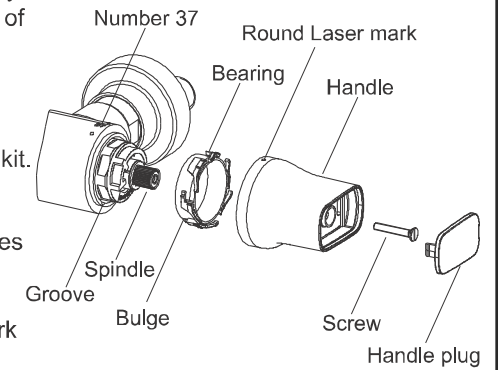
CARE AND MAINTENANCE

Verification and Setting

Make sure that the water feeds of the faucet have reach their highest temperature by letting the water run sufficiently. With the selector in position 37°C, the temperature of the water coming out of the faucet must be within a range of 36°C and 38°C, as measured by a thermometer. If this is not the case, the installer can adjust the setting. Proceed with the setting as follows:

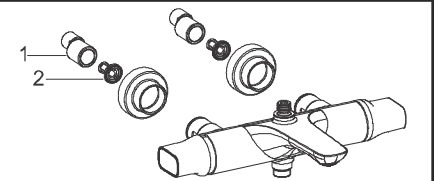
Remove the handle plug. Uninstall the screw with screwdriver. Remove the handle kit.

With the faucet on "cold" normal water flow, slowly turn the temperature selector (always in the same direction) until water at 37°C is obtained. If the temperature goes over 38°C, go back to the "cold" setting and set again. When the temperature is stabilized, without turning the cartridge spindle. Make sure the bulge of the bearing align with the groove of the body. Insert the bearing. Make sure the round laser mark on the temperature handle aligned with the number 37 on the faucet body. Tighten the screw. Install the handle plug as shown.



How to Clear the Filter

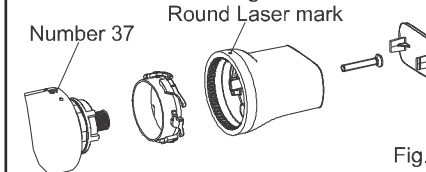
The filters(2) protecting the faucet device may get obstructed and reduce water flow. When this happens, take out the filters in the connectors(1) after removing the faucet. Clean the filters by soaking them in warm vinegar. Reinstall them as the figure.



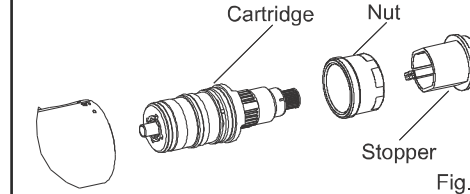
How to Clear the Thermostaic Cartridge

Very hard water can obstruct filters on the thermostatic cartridge and reduce water flow. Please clean the cartridge as follows: Shut off the water supply of the faucet and open the water flow handle, then proceed to remove the cartridge. The cartridge is sense organ, please be careful.

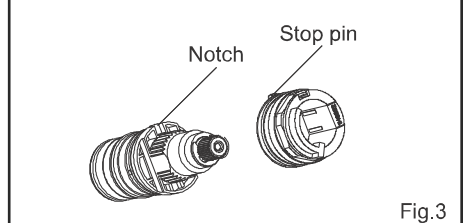
Mark sure the reference mark is aligned with number 37 before your action. Remove the handle plug. Uninstall the screw with screwdriver. Remove the handle kit and bearing.



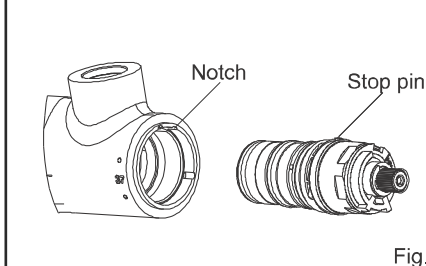
Unscrew the nut and stopper. Removing the cartridge cautiously. Clean the thermostatic cartridge by soaking it in warm vinegar.



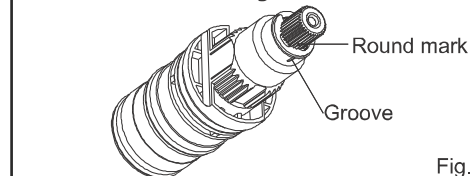
After cleaning, install the "stop assembly" back on the cartridge, adjusting the stop pin into the notch.



Install the assembly cartridge and stop in the body, adjusting the stop pin into the notch.



NOTE: Do not turn the cartridge when reinstall it. If you turned it without carefully, you should adjust it and be sure that the round mark is correctly in line with the groove, or readjust as per the steps of verification and setting.



Install the bearing and temperature selector (without turning the spindle) lining the number 37 with the reference mark. Tighten the handle with the screw. Put on the handle plug.

