

## Features

- 21-inch minimum base cabinet width.
- Single bowl.
- 6-inch depth.
- Small size fits compact spaces.

## Material

- Handcrafted from 14-gauge stainless steel.

## Installation

- Top-mount.

## Recommended Products/Accessories

K-8801 Sink Strainer  
K-8799 Sink Strainer

## Optional Products/Accessories

K-11352 Disposal Flange with Stopper



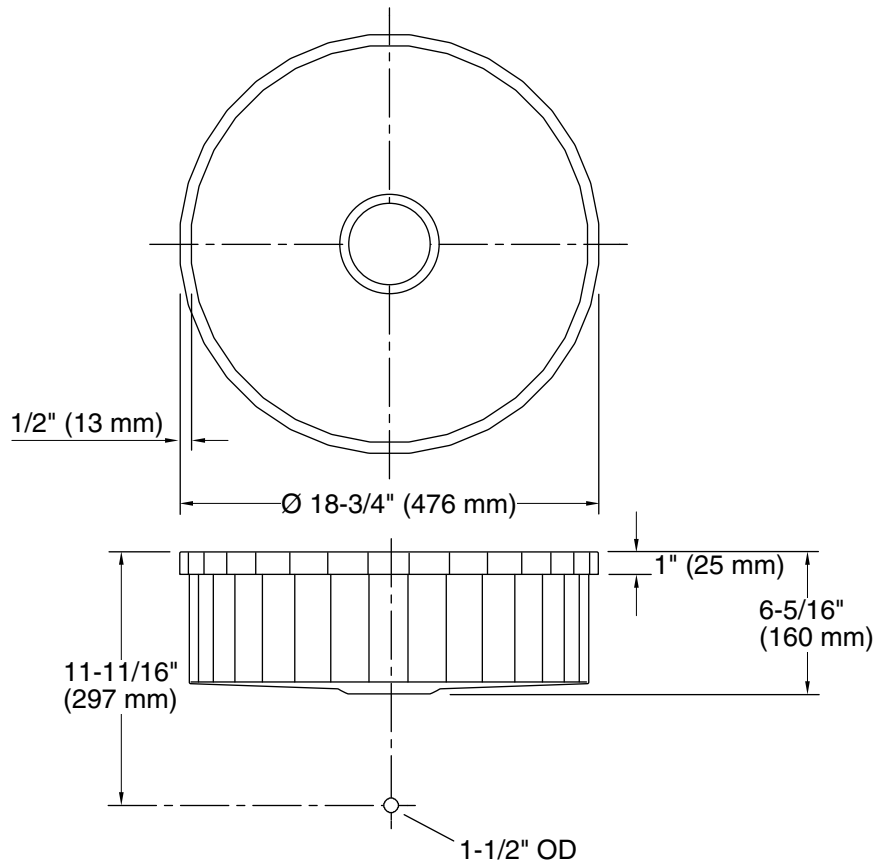
ADA

## Codes/Standards

ASME A112.19.3/CSA B45.4  
ADA  
ICC/ANSI A117.1

## Lifetime Limited Warranty for KOHLER® Stainless Steel Sinks

See website for detailed warranty information.



### Technical Information

All product dimensions are nominal.

|                          |   |
|--------------------------|---|
| Bowl configuration:      | Single  |
| Installation:            | Top-mount   |
| Min. base cabinet width: | 21" (533 mm)  |
| Bowl area (Only):        | Diameter: 17-3/4" (451 mm)<br>Bowl depth: 6" (152 mm) |
| Drain hole:              | 3-5/8" (92 mm)  |
| Template:                | 1220554-7, required, included                         |

### Notes

Install this product according to the installation instructions.

ADA compliant when installed to the specific requirements of these regulations.

ADA permits a parallel approach to wet bars.